

X510-5DSD BILLS OF MATERIAL
DODGE CATALOG CORRECTIONS

AXL-PNI-40

PART NUMBER

DATE: December 15, 1997

TO: All Spicer® Light Axle Distributors

Listed below are updated Bills of Material (B/M) that are in the Dodge, X510-5DSD parts catalog. Please make the following changes to your catalog.

Model 44 Front, p 6:

B/M

610128-1 and -2 are W-200 applications.

Model 44 Front Disconnect, p 13:

B/M

610331-1, -2, and -3 the **Left Hand Shaft Assembly** is 73578-2X.

Model 44 Front Disconnect, p 14:

| <u>B/M</u> | <u>Case Assy Kit</u> | <u>Case Kit</u> | <u>Inner Parts</u> | <u>Rt. / Lt. Axle</u> |
|-------------------|-----------------------------|------------------------|---------------------------|------------------------------|
| 610271-1 | 707021X | 707023X | 707025X | No Change |
| 610271-2 | 707022X | 707024X | 707025X | No Change |
| 610271-3 | 707022X | 707024X | 707025X | No Change |

Model 61 front, p 29:

B/M

610342-2 **Ratio** is 3.54.

Model 60 Rear, p 35:

| <u>B/M</u> | <u>Case Assy Kit</u> | <u>Case Kit</u> | <u>Inner Parts</u> | <u>Rt. / Lt. Axle</u> |
|-------------------|-----------------------------|------------------------|---------------------------|------------------------------|
| 603989-6 | 706036X | 706040X | No Change | 38378-1/38378-1 |

All 603989 base B/Ms use 38378-1 for the **right and left shaft assemblies**.

Model 60 Rear, p 37:

B/M

605517-6 Case Kit is 707175X.

Model 70 Rear, p 42:

| <u>B/M</u> | <u>Case Assy Kit</u> | <u>Case Kit</u> | <u>Inner Parts</u> | <u>Rt. / Lt. Axle</u> |
|-------------------|-----------------------------|------------------------|---------------------------|------------------------------|
| 603695-4 | 706050X | 706054X | 706057X | No Change |
| 603695-11 | 706050X | 706054X | 706057X | No Change |
| 603695-15 | 706050X | 706054X | 706057X | No Change |
| 603695-22 | 706050X | 706054X | 706057X | No Change |

- Over -

Model 70 Rear, p 44:

| <u>B/M</u> | <u>Case Assy Kit</u> | <u>Case Kit</u> | <u>Inner Parts</u> | <u>Rt. / Lt. Axle</u> |
|------------|----------------------|-----------------|--------------------|-----------------------|
| 603995-14 | 28284X | 706084X | No Change | No Change |

Model 70 Rear, p 45:

| <u>B/M</u> | <u>Case Assy Kit</u> | <u>Case Kit</u> | <u>Inner Parts</u> | <u>Rt. / Lt. Axle</u> |
|------------|----------------------|-----------------|--------------------|-----------------------|
| 605270-4 | 706049X | 706053X | 706057X | no change |
| 605513-1 | 707251X | No Change | 707252X | 43811-6/43811-6 |
| 605513-2 | 707253X | No Change | No Change | 43811-6/43811-6 |

*Ring & Pinion Sets for 605513-1 and -2 is 707250-1X.

Model 70 Rear, p 46:

| <u>B/M</u> | <u>Case Assy Kit</u> | <u>Case Kit</u> | <u>Inner Parts</u> | <u>Rt. / Lt. Axle</u> |
|------------|----------------------|-----------------|--------------------|-----------------------|
| 605373-2 | No Change | No Change | 707074X | No Change |
| 605373-3 | No Change | No Change | 706058X | No Change |
| 605373-4 | 707128X | No Change | No Change | No Change |
| 605373-7 | No Change | No Change | 706058X | No Change |

605373-7 **Ratio** is 4.10, **Ring & Pinion Set** is 706998-3X

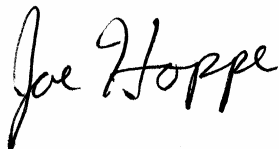
1989-90 D-300 is an ABS application.

Model 70 Rear, p 47:

B/M
605509-5 **Case Kit** is 707125X **Inner Parts Kit** is 707252X
605512-3 **Ratio** is 4.10

Model 70 Rear, p 48:

| <u>B/M</u> | <u>Case Assy Kit</u> | <u>Case Kit</u> | <u>Inner Parts</u> | <u>Rt. / Lt. Axle</u> |
|------------|----------------------|-----------------|--------------------|-----------------------|
| 605522-3 | 707255X | No Change | 707252X | No Change |
| 605547-1 | No Change | No Change | 707252X | No Change |



Joe Hoppe
Product Manager
Spicer Light Axle Products

Dodge 1999-2001

Light Duty Axle Applications



X510-5
September, 2001

Supersedes X510-5DSD
dated January 1999

SAFETY INFORMATION



WARNING - Failure to follow these instructions could affect vehicle performance and/or safety and result in personal injury or death.

- **Do not convert or alter Spicer axles except in accordance with vehicle manufacturer's instructions.**

Spicer axles are designed to meet OEM vehicle manufacturer's design and performance specifications. Improper conversion or alteration of these axles can damage the axles and/or other vehicle systems. Contact the OEM manufacturer for specific directions and guidelines.

- **Do not change axle gear ratios on vehicles with anti-lock braking systems except in accordance with the vehicle manufacturer's instructions.**

Vehicles with anti-lock braking systems may utilize sensors and tone rings within the axle housings to ensure the functioning of the anti-lock brakes. Improperly changing the axle ratios may defeat the anti-lock braking system. If changing axle ratios will require changing the location of the tone ring on the ring gear flange relative to the location of the sensor in the axle housing, contact the OEM manufacturer for specific directions and guidelines.

- **Do not reuse or substitute ring gear bolts.**

If you reuse a ring gear bolt or substitute an inferior quality bolt, the bolt may loosen or back out of its threaded hole, causing severe damage to the axle gears and other components and possibly resulting in a sudden "locking up" of the axle and loss of control of the vehicle. Always use new bolts specifically recommended for the application and install bolts using proper tools and torquing to the proper specifications.



CAUTION - Do not substitute parts not of Spicer quality.

Spicer axles are designed for each model vehicle, and manufactured and tested for safety and best performance. Replacement parts from other manufacturers may not be made to Spicer's rigid quality standards. To be sure you're getting Spicer quality, always use genuine Spicer parts.



This symbol warns of possible personal injury.

| | |
|--|----|
| How to Use This Catalog | 2 |
| General Information | 4 |
| Axle Kits | 6 |
| Model 35/194 Front | |
| Dakota | |
| Exploded View & Parts Listing | 8 |
| Bill of Material Table | 9 |
| Model 44/216 Front Disconnect | |
| W1500 & W2500 Ram | |
| Exploded View & Parts Listing | 12 |
| Bill of Material Table | 14 |
| Variable Parts Table | 15 |
| Model 60/248 Front Disconnect | |
| W2500HD, W3500 & Non-ABS Air Force Tow | |
| Exploded View & Parts Listing | 18 |
| Bill of Material Table | 20 |
| Variable Parts Table | 22 |
| Model 44/216 ICA Rear | |
| Viper | |
| Exploded View & Parts Listing | 26 |
| Bill of Material Table | 27 |
| Model 60/248 Rear | |
| B-300 Maxivan HD | |
| Exploded View & Parts Listing | 30 |
| Bill of Material Table | 32 |
| Variable Parts Table | 32 |
| Model 60/248 Rear | |
| D2500 & W2500 Ram | |
| Exploded View & Parts Listing | 34 |
| Variable Parts Table | 35 |
| Bill of Material Table | 36 |
| Model 70/267 Rear | |
| D2500 & W2500 Ram | |
| Exploded View & Parts Listing | 40 |
| Bill of Material Table | 42 |
| Variable Parts Table | 44 |
| Model 80/286 Rear | |
| D2500, D3500, W2500 & Sweptline | |
| Exploded View & Parts Listing | 46 |
| Bill of Material Table | 48 |
| Variable Parts Table | 52 |
| Shim Table | 54 |

How to Use This Catalog

This catalog contains applications and part listings for front and rear axles which fit **Chrysler/Dodge** vehicles from model years **1999-2001**. For information on model years between **1967-1978**, please refer to catalog X510-8DSD; Ford model years **1979-1999** refer to X510-9. For miscellaneous models from years **1979-1984**, please refer to X510-7DSD.

The data in this publication is arranged by make, then in numerical order by model for front axles and then for rear axles. Each model contains the following three sections as appropriate:

- Parts Listing and Exploded View**

This section contains an exploded view of the axle and lists all the part numbers for those parts illustrated. The parts that do not have a common part number have a footnote reference indicating where to find the correct part number for each Bill of Material.

X510-5

Chrysler /Dodge 60/248 Rear - Ram Parts Listing



| ITEM NO. | PART NUMBER | DESCRIPTION | ITEM NO. | PART NUMBER | DESCRIPTION |
|----------|-------------|---------------------------------|----------|-------------|------------------------------------|
| 1 | - | Housing - Axle Service | 4 | 343 | Seal - Differential (std) |
| 2 | - | Inner Gear / Pinion Assmb | 5 | 3473 | Thrustwasher - Differential Pinion |
| 3 | 706046X | KIT - Inner Pinion Bearing | 26 | 34729 | Thrustwasher - Diff Gear (std) |
| 4 | 701126X | PKG - Inner Pinion Bearing Shim | 27 | 30263 | Shaft - Differential |
| 5 | 45658 | Collapsible Spacer | 28 | 44810 | Lock - Differential Shaft |
| 6 | 706045X | KIT - Outer Pinion Bearing | 29 | 42928 | Tone Ring (ABS Only) |
| 7 | 42737 | Thrustwasher | 30 | -(2) | Bolt - Brake Mounting |
| 8 | -(2) | Seal - Pinion | 31 | -(2) | Nut - Brake Mounting |
| 9 | -(2) | Slinger - End Yoke | 32 | -(2) | Seal - Hub |

- Bill of Material Table**

This section contains vehicle applications listed in order by year. Included in the table are the major kits and assemblies for each Bill of Material number.



Chrysler /Dodge 60/248 Rear - Ram Variable Parts Listing

X510-5

| Kits & Parts - Use With All Applications | | | | | | |
|---|-------------------|--------------|--------------|--------------|-------------|--|
| Description & Item Number (Refer to "Exploded view" at the front of this section) | Bills of Material | | | | | |
| | 60617 | 60618 | 60616 | 60617 | 606239 | |
| 1 Seal - Pinion | 8 | 4249 | 4249 | 4249 | 47885 | |
| 2 Slinger - End Yoke | 9 | 34392 | 34592 | 34592 | 50251 | |
| 3 End Yoke Assembly (inc 9) | 1 | 3-4-11891-1X | 3-4-11891-1X | 3-4-11891-1X | 3-4-11851-1 | |
| 4 KIT - Carrier Cover | - | 707353X | 707354X | 707353X | 707354X | |
| 5 Carrier Cover | 13 | 46292-1 | 46292-2 | 46292-1 | 46292-2 | |
| 6 Bolt - Brake Mounting | 30 | 48835 | 48835 | 48835 | 48835 | |
| 7 Nut - Brake Mounting | 31 | 48836 | 48836 | 48836 | 48836 | |
| 8 Seal - Hub | 32 | 43146 | 43146 | 47507 | 43146 | |

• **Variable Parts Table**

This section contains the individual part numbers that vary by Bill of Material number for a given model.

X510-5

Chrysler /Dodge 60/248 Rear - Ram Bill of Material Table



| Bill of Material | Axle | | Ring Gear & Pinion Kit (7) | Axle Kits | | | Shaft & Joint Assy. | |
|-------------------------|------------|-------|----------------------------|--------------|--------|-----------------|------------------------|-----------------------|
| | Diff. Type | Ratio | | Differential | | Inner Parts Kit | Right Hand Shaft Assy. | Left Hand Shaft Assy. |
| | | | Case Assy. Kit | Case Kit | | | | |
| 1999 D2500 | | | | | | | | |
| 606146-1 | Standard | 3.55 | 708009-1 | 708010 | 708011 | 706043X | 43965-4 | 43965-4 |
| 606146-2 | Trac Lok | 4.10 | 708009-2 | 708013 | 708014 | 707084X | 43965-4 | 43965-4 |
| 1999 W2500 | | | | | | | | |
| 606147-1 | Standard | 3.55 | 708009-1 | 708010 | 708011 | 706043X | 43965-4 | 43965-4 |
| 606147-2 | Trac Lok | 4.10 | 708009-2 | 708013 | 708014 | 707084X | 43965-4 | 43965-4 |
| 2000 D2500 w/ABS | | | | | | | | |
| 606147-1 | Standard | 3.55 | 708009-1 | 708010 | 708011 | 706043X | 43965-4 | 43965-4 |

Note: Additional information on Spicer axles can be found in our General Information catalog number XGI. It contains the following sections:

- Bill of Material Numerical Listing
- Ring and Pinion Kits
- Differential Case Assembly Kits
- Axle Shaft Dimension and Components

General Information

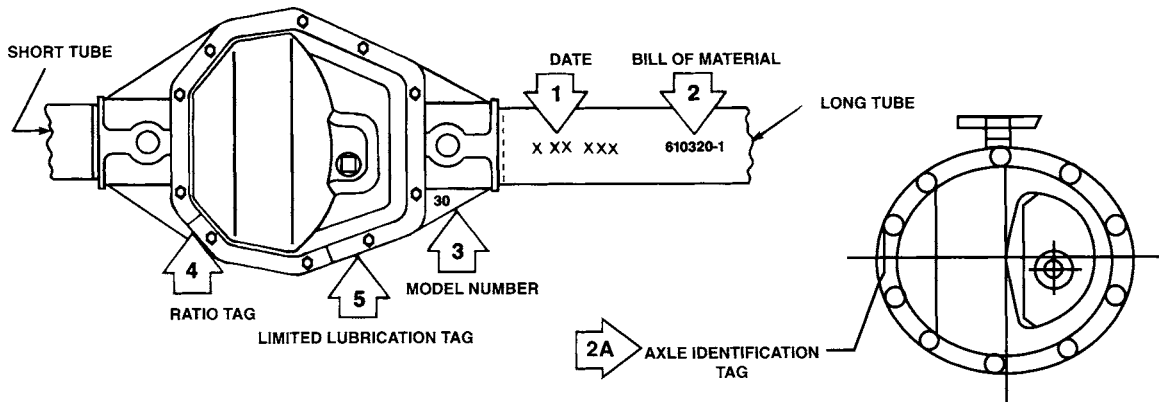
How To Identify A Spicer Axle

All Spicer Carrier Type axles are identified with a manufacturing date (1) and Bill of Material number (2) stamped on the right or left hand tube on driving axles. The Bill of Material number may also be found on the carrier in some models as shown in illustration (2A). For independent front suspension (IFS) axles, the B/M number may be located at one of three locations: 1) A vertically positioned tag near the center of the right hand side support arm, 2) stamped into the left hand side support arm (opposite end of the camber adjuster), or 3) stamped into the "nose end" of the axle carrier. The location of the information will depend on the manufacturing date of the axle.

The axle model number will be cast into one of the webs as shown (3), or it can be on the nose.

Each axle contains a gear ratio tag (4), and if the axle is equipped with a limited slip differential, it will have a tag specifying the type of limited slip lubricant to be used (5).

Refer to the appropriate model number section for parts identification and a breakdown of the Bill of Material.



How To Change Gear Ratios

To increase or decrease a gear ratio, there are certain steps that must be taken. The differential case depends upon the ratio desired. For each axle model, there is a high-ratio and a low-ratio case as illustrated below:

| Axle Model | Low Ratio Case | High Ratio Case | Axle Model | Low Ratio Case | High Ratio Case |
|-----------------------|----------------|-----------------|--------------|---|-----------------|
| Model 27 | 3.73 and Down | 3.92 and Up | Model 50 | 4.10 and Down | — |
| Model 28 | 3.45 and Down | 3.73 and Up | Model 60 | 4.10 and Down | 4.56 and Up |
| Model 28 IFS Aerostar | 2.27, 3.73 | — | Model 61 | Semi Float 3.00 and 3.07 only | |
| Model 30 | 3.55 and Down | 3.73 and Up | Model 61 | Full Float 3.31 and Down 3.54 and Up | |
| Model 35 | 2.35 only | — | Model 70 | 4.10 and Down | 4.56 and Up |
| Model 35 | 2.73 - 3.31 | 3.54 and Up | Model 70-3HD | 3.42 and Down | 3.73 and Up |
| Model 36 ICA | 2.73 and Down | 3.07 and Up | Model 70-2UA | 3.07 only | — |
| Model 44 | 3.73 and Down | 3.92 and Up | Model 80 | 3.73 and Down | 4.10 and Up |
| Model 44 ICA | | | | | |
| 1984 & earlier | 3.73 and Down | 3.92 and Up | | | |
| Model 44 ICA | | | | | |
| 1985 & later | 2.87 and Down | 3.07 and Up | | | |

Example - If you have a model 44 Rear Axle with a 3.54 ratio and wish to change to a 3.73 ratio, you change only the ring gear and pinion assembly. If you change the ratio to a 4.09, you must change to a high-ratio case in addition to changing the ring gear and pinion. The application section will show you what case to use. When the vehicle is equipped with both front and rear driving axles, the gear ratios must be the same in both axles. The drive gear screws are self-locking and must be replaced with new screws each time that they are removed.

How Limited Slip Differentials Operate

A conventional differential transmits all the ring gear torque through the differential gears to the axle shafts. Torque is at all times equal on the axle shafts, and if one wheel slips, the other wheel can only put out as much torque as the slipping wheel.

The Spicer Limited Slip differential has the same power flow as a conventional differential, plus a more direct flow which automatically takes effect as driving conditions demand. This more direct power flow is from the differential case to each axle shaft through a clutch plate and disc arrangement.

Arrangement of these plates and discs is at the option of the vehicle manufacturer, so care should be taken during disassembly to note the arrangement of these components.

The Limited Slip construction permits differential action when required for turning corners and transmits equal torque to both wheels when driving straight ahead. However, when one wheel tries to spin due to leaving the ground, a patch of ice, etc., the clutch packs automatically provide more torque to the wheel which is not trying to spin.

The Limited Slip differential resists wheel spin on bumpy roads and provides more pulling power when one wheel tries to slip. In many cases of differences in traction, pulling power will be automatically provided until both wheels start to slip.

In diagnosis of vehicle operators' complaints, it is important to recognize two things.

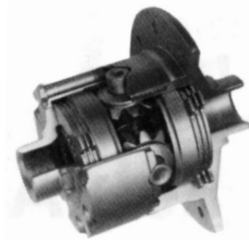
1. If, with unequal traction, both wheels slip, the Limited Slip Differential has done all it can possibly do.
2. In extreme cases of differences in traction, the wheel with the least traction may spin after the Limited Slip has transferred as much torque as possible to the non-slipping wheel.

How To Distinguish a Powr-Lok™ from a Trac-Lok™

All Models **except Model 80 /286**: The Powr-Lok design is identified by its 2-piece case. The Trac-Lok design is identified by its 1-piece case.

Model 80 /286 only: Both the Powr-Lok and the Trac-Lok use 2-piece cases in the model 80 (286) axle. The difference between the two is in the shape of the holes for the cross shaft. The Powr-Lok case will have cross shaft holes that are "U" shaped in one case half and "V" shaped in the other case half. The Trac-Lok case will have cross shaft holes that are semicircles in both case halves.

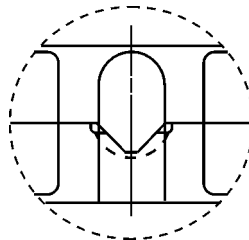
It is also possible to replace an existing Powr-Lok unit with a complete Trac-Lok unit. For this purpose, the differential case assembly must be replaced.



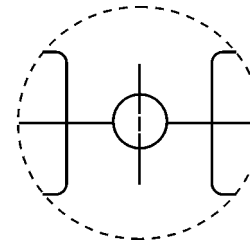
POWR-LOK™
2-Piece Case
4 Pinion Mate Gears



TRAC-LOK™
1 or 2-Piece Case
2 Pinion Mate Gears



Cross shaft view
of a Model 80
Power Lok case



Cross shaft view
of a Model 80
Trak Lok case

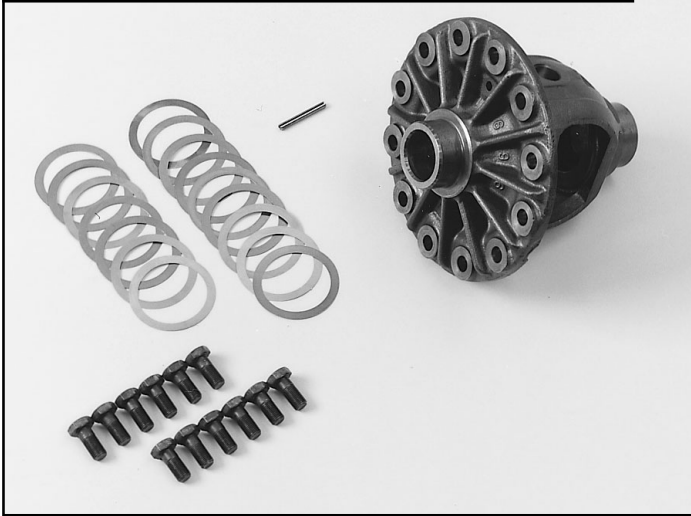
How To Obtain Special Service Tools

Special service tools (see service manuals) can be obtained from the following company:

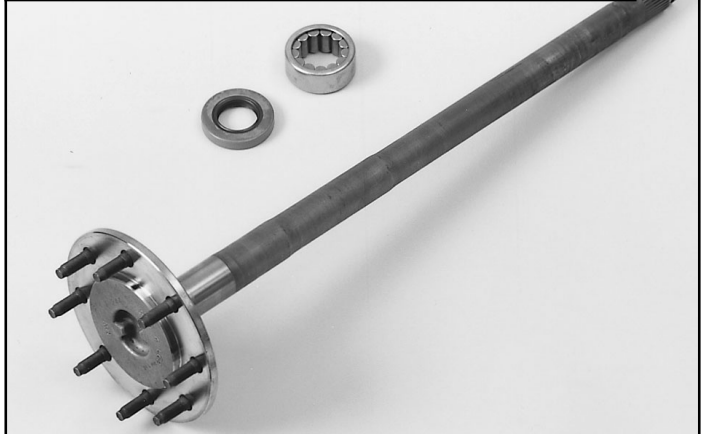
Kent-Moore
OE Tool and Equipment Group
SPX Corporation
28635 Mound Road
Warren MI 48092-3499
(800) 345-2233

Light Axle Kits

DIFFERENTIAL CASE KIT



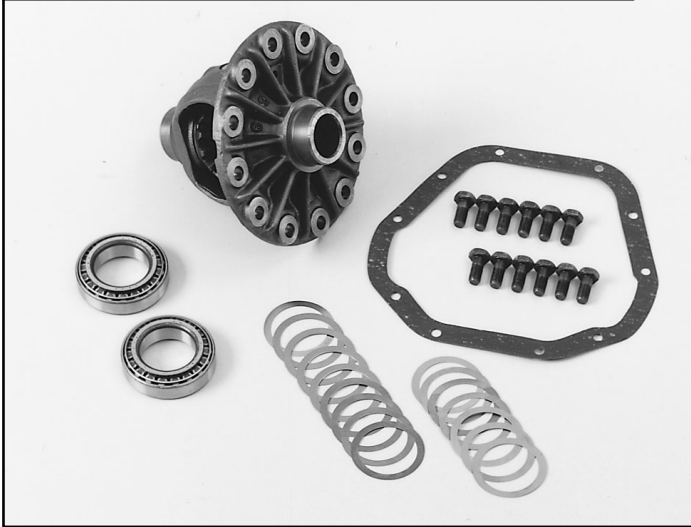
SHAFT ASSEMBLY KIT



DRIVE PINION & GEAR ASSEMBLY KIT



DIFFERENTIAL CASE ASSEMBLY KIT



CARRIER COVER KIT

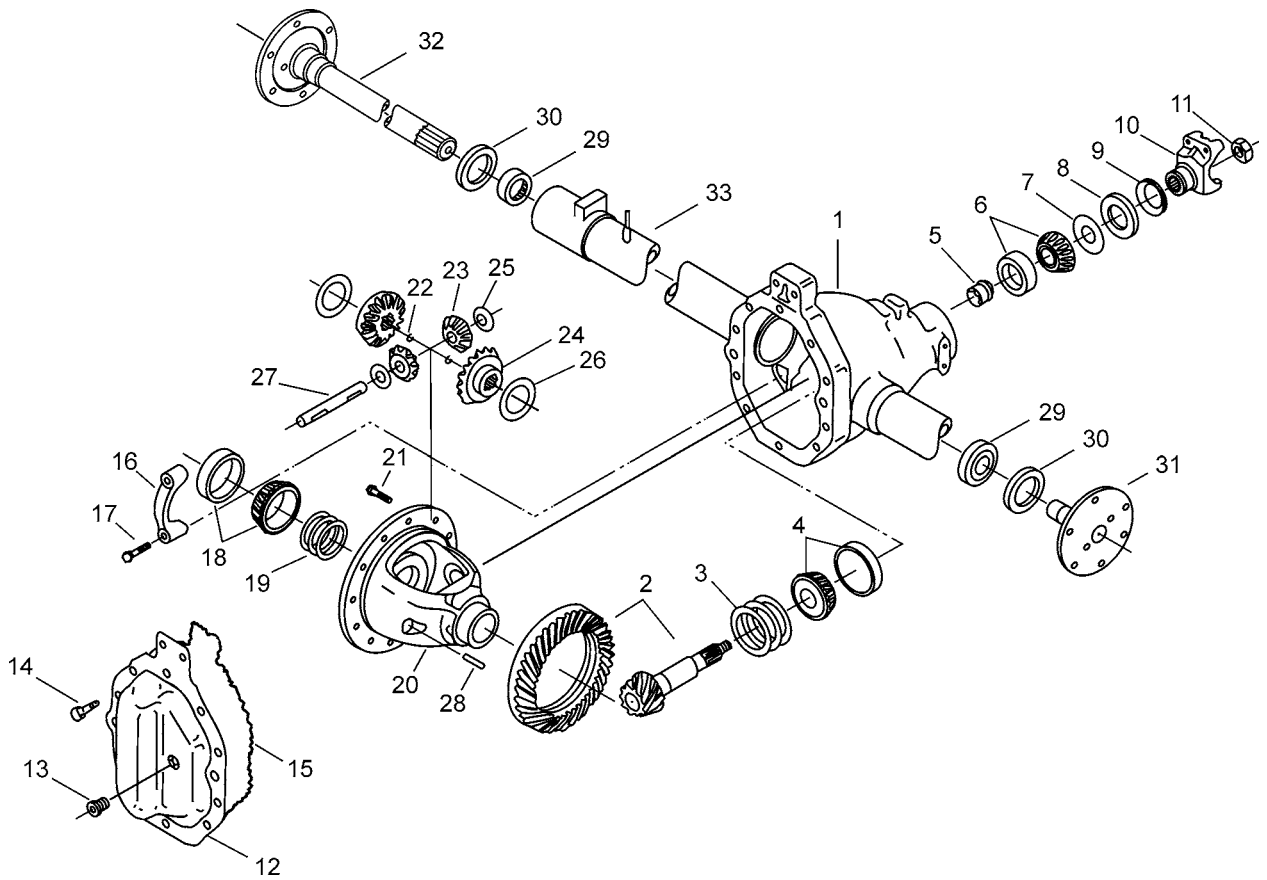


DIFFERENTIAL INNER PARTS KIT



Model 35 /194 Front Axles for Dakota and Durango

Chrysler/Dodge 35/194 Front Exploded View



Chrysler/Dodge 35/194 Front Parts Listing



| ITEM NO. | PART NUMBER | DESCRIPTION | ITEM NO. | PART NUMBER | DESCRIPTION |
|----------|-------------|--------------------------------|----------|-------------|------------------------------------|
| 1 | -(3) | Housing - Axle Service | 17 | 40284-1 | Bolt - Differential Bearing Cap |
| 2 | -(1) | Drive Pinion & Gear Assembly | 18 | 706016X | Differential Bearing Kit |
| 3 | 701130X | PKG - Inner Pinion Shim | 19 | 701004X | PKG - Differential Bearing Shim |
| 4 | 707162X | KIT - Inner Pinion Bearing | 20 | -(1) | Case - Differential (std) |
| 5 | 42102 | Collapsible Spacer | 21 | 41221 | Bolt - Drive Gear (qty 10) |
| 6 | 706894X | KIT - Outer Pinion Bearing | 22 | 42570 | Snap Ring |
| 7 | 42778 | Slinger - Outer Pinion Bearing | 23 | 46504 | Pinion - Differential |
| 8 | 48009 | Seal - Pinion Oil | 24 | 47559 | Gear - Differential |
| 9 | 48008 | Seal - End Yoke | 25 | 34096 | Thrustwasher - Differential Pinion |
| 10 | 2-4-8131-1 | End Yoke | 26 | 34095 | Thrustwasher - Differential Gear |
| 11 | 44189 | Pinion Nut | 27 | 41648 | Shaft - Differential Pinion |
| | 707438X | KIT - Carrier Cover | 28 | 13449 | Roll Pin - Differential Shaft |
| 12 | -(4) | Carrier Cover | 29 | 565977 | Bearing |
| 13 | 41356 | Plug - Carrier Cover | 30 | 46485 | Oil Seal |
| 14 | 40286-5 | Bolt - Carrier Cover (qty 10) | 31 | 47067 | Axle Shaft (LH) |
| 15 | 38615 | RTV Silicone Sealant | 32 | 47065 | Axle Shaft (RH) |
| 16 | -(3) | Differential Bearing Cap | 33 | 41962 | Vent - Axle Shaft (RH) |

- (1) See "Bill of Material Table" below
 (2) See "Variable Parts Table" within this section
 (3) Contact Vehicle Manufacturer
 (4) Not Sold Separately
 N.I. = Not Illustrated

Bill of Material Table

| Axle | | | Axle Kits | | | | Shaft & Joint Assy. | |
|-------------------------------------|------------|-------|---------------------------------------|-------------------------------|----------|-----------------|------------------------|-----------------------|
| Bill of Material | Diff. Type | Ratio | Ring Gear & Pinion Kit ⁽⁷⁾ | Differential | | | Right Hand Shaft Assy. | Left Hand Shaft Assy. |
| | | | | Case Assy. Kit ⁽⁸⁾ | Case Kit | Inner Parts Kit | | |
| 1997-99 Dakota & Durango | | | | | | | | |
| 610576-1 | Standard | 3.21 | 75812-5X | 75935X | 47071 | 707436X | | |
| 610576-2 | Standard | 3.55 | 74346-5X | 75934X | 47069 | 707436X | | |
| 610576-3 | Standard | 3.92 | 75813-5X | 75934X | 47069 | 707436X | | |
| 610576-4 | Standard | 3.21 | 75812-5X | 75935X | 47071 | 707436X | | |
| 610576-5 | Standard | 3.55 | 74346-5X | 75934X | 47069 | 707436X | | |
| 610576-6 | Standard | 3.92 | 75813-5X | 75934X | 47069 | 707436X | | |

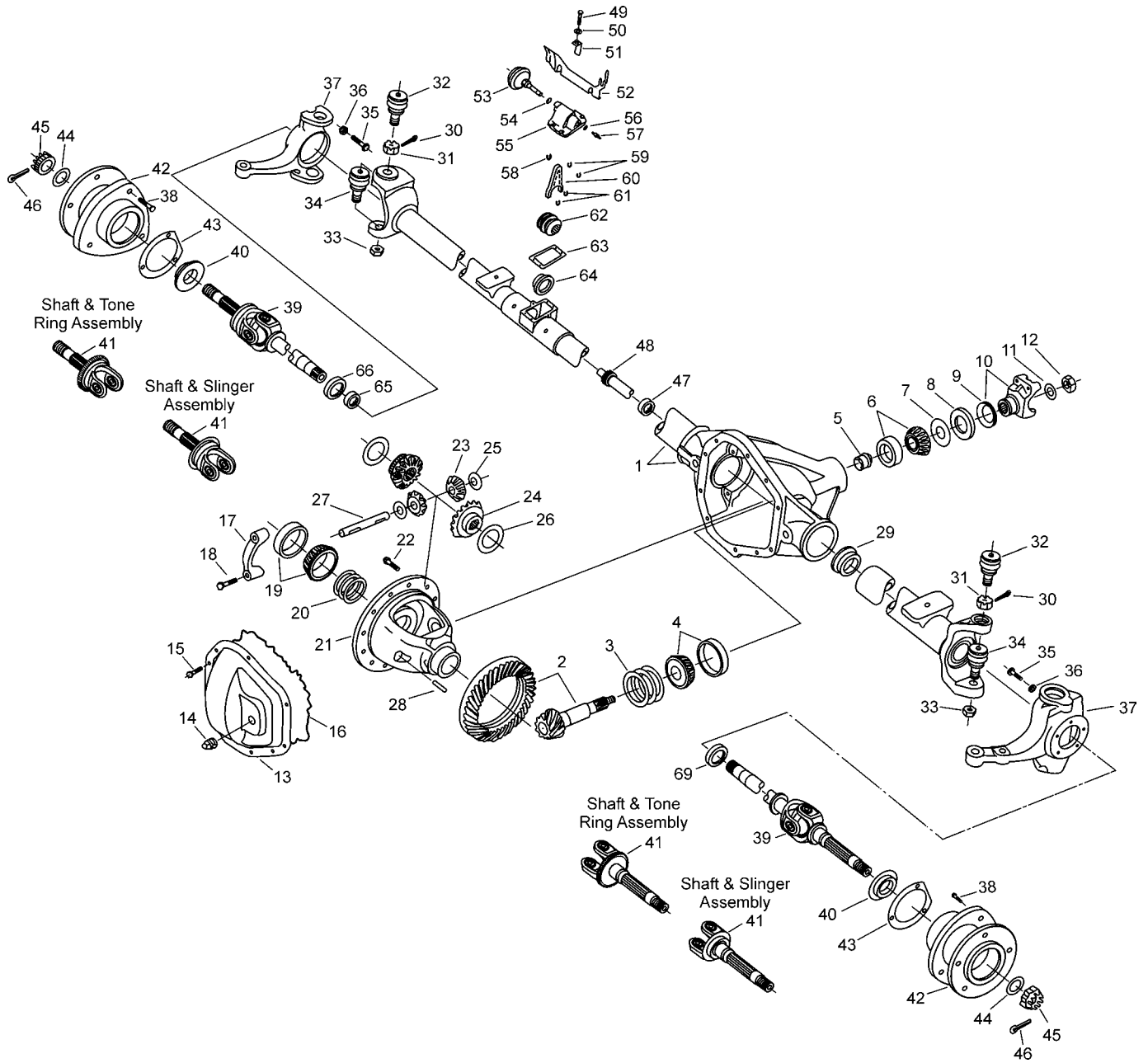
NOTE: All Ring & Pinion Kits with base number 706930 are reverse spiral bevel

(7) See Ring Gear & Pinion Kits in XGI Catalog for ratio & tooth combinations.

(8) See Differential Case Assy Kits in XGI Catalog for spline data & ratios.

**Model 44 /216
Front Disconnect Axles for
W1500 & W2500 Ram**

Chrysler/Dodge 44/216 Disconnect Front Exploded View



Chrysler/Dodge 44/216 Disconnect Front Parts Listing



| ITEM NO. | PART NUMBER | DESCRIPTION | ITEM NO. | PART NUMBER | DESCRIPTION |
|----------|-------------|------------------------------------|----------|-------------|-------------------------------------|
| 1 | -(3) | Housing - Axle Service | 35 | -(2) | Stop Screw |
| 2 | -(1) | Drive Pinion & Gear Assembly | 36 | -(2) | Jam Nut |
| 3 | 701112X | PKG - Inner Pinion Bearing Shim | 37 | -(3) | Knuckle (RH) |
| 4 | 706015X | KIT - Inner Pinion Bearing | | -(3) | Knuckle (LH) |
| 5 | 44896 | Collapsible Spacer | 38 | 44993-1 | Bolt - Knuckle (if required) |
| 6 | 706030X | KIT - Outer Pinion Bearing | 39 | -(1) | Shaft & Joint Assembly |
| 7 | 13575 | Slinger - Outer Pinion Bearing | 40 | 45942 | Slinger |
| 8 | -(2) | Seal - Pinion Oil | 41 | -(2) | Shaft & Slinger/Tone Ring Assy. |
| 9 | -(2) | Seal - End Yoke | 42 | -(3) | Hub Assembly |
| 10 | -(2) | End Yoke Assembly (inc 9) | 43 | -(2) | Spacer - Flat |
| 11 | 30186 | Washer - Pinion Nut | 44 | 45523 | Washer - Flat |
| 12 | 30185 | Pinion Nut | 45 | 46085 | Slotted Nut |
| | 707192X | KIT - Carrier Cover (inc 13,14,15) | 46 | 500025-10 | Cotter Pin |
| 13 | -(4) | Carrier Cover | 47 | 50429(6) | Bushing - Synthetic |
| 14 | 36472 | Plug - Carrier | 48 | 45770 | Output Shaft |
| 15 | 34279 | Bolt - Carrier Cover (qty 10) | | 75265X | KIT - Front Axle Shaft (inc 48, 65) |
| 16 | 38615 | RTV Silicone Sealant | 49 | 500396-10 | Bolt - Disconnect Assembly |
| 17 | -(3) | Differential Bearing Cap | 50 | 500357-9 | Lock Washer |
| 18 | 48632-1 | Bolt - Diff Bearing Cap | 51 | -(3) | Brake Line Clip |
| 19 | 706032X | KIT - Differential Bearing | 52 | 43424 | Protection Shield |
| 20 | 706086X | PKG - Differential Bearing Shim | | -(3) | Cover & Motor Assembly |
| 21 | -(1) | Case - Differential | | | (inc 53,54,55,56,57,58,59,60,61) |
| 22 | 41221 | Bolt - Drive Gear (qty 10) | 53 | -(4) | Motor Assembly |
| 23 | 45872 | Pinion - Differential | 54 | -(4) | O-Ring |
| 24 | 45870 | Gear - Differential | 55 | -(4) | Cover - Housing |
| 25 | 13338-3 | Thrustwasher - Differential Pinion | 56 | -(4) | O-Ring |
| 26 | 32121 | Thrustwasher - Differential Gear | 57 | -(4) | Switch Assembly |
| 27 | 39194 | Shaft - Differential | 58 | -(4) | Snap Ring |
| 28 | 13449 | Lock - Differential Shaft | 59 | -(4) | Snap Ring |
| 29 | 48489 | Seal - Tube (left side) | 60 | -(4) | Shift Fork |
| | -(2) | KIT - Socket Assembly | 61 | -(4) | Clip |
| | | (inc items 30, 31, 32, 33, 34) | 62 | 46401 | Clutch Collar |
| 30 | 500024-6 | Cotter Pin | 63 | 41494 | Gasket |
| 31 | 40584 | Slotted Nut | 64 | 48488 | Seal - Tube (right side) |
| 32 | 40916 | Upper Socket | 65 | 43337 | Bushing |
| 33 | -(2) | Lock Nut | 66 | 50382 | Oil Seal |
| 34 | -(2) | Lower Socket | | | |

(1) See "Bill of Material Table" on next page

(2) See "Variable Parts Table" within this section

(3) Contact Vehicle Manufacturer

(4) Not Sold Separately

(5) Bearing Assembly 566008 was used in older models and is still available for service.

Chrysler/Dodge 44/216 Disconnect Front Bill of Material Table

| Axle | | | Axle Kits | | | | Shaft & Joint Assy. | |
|---------------------------------|------------|-------|---------------------------------------|-------------------------------|----------|-----------------|------------------------|-----------------------|
| Bill of Material | Diff. Type | Ratio | Ring Gear & Pinion Kit ⁽⁷⁾ | Differential | | | Right Hand Shaft Assy. | Left Hand Shaft Assy. |
| | | | | Case Assy. Kit ⁽⁸⁾ | Case Kit | Inner Parts Kit | | |
| 1999 W1500 | | | | | | | | |
| 610786-1 | Standard | 3.54 | 707338-1X | 707021-1X | 706024X | 707025-1X | 76812-1X | 76813-1X |
| 610786-2 | Standard | 3.92 | 707338-2X | 707022-1X | 706025X | 707025-1X | 76812-1X | 76813-1X |
| 610787-1 | Standard | 3.54 | 707338-1X | 707021-1X | 706024X | 707025-1X | 76812-1X | 76813-1X |
| 610787-2 | Standard | 3.92 | 707338-2X | 707022-1X | 706025X | 707025-1X | 76812-1X | 76813-1X |
| 610826-1 | Standard | 3.54 | 707338-1X | 707021-1X | 706024X | 707025-1X | 76812-1X | 76813-1X |
| 610826-2 | Standard | 3.92 | 707338-2X | 707022-1X | 706025X | 707025-1X | 76812-1X | 76813-1X |
| 610827-1 | Standard | 3.54 | 707338-1X | 707021-1X | 706024X | 707025-1X | 76812-1X | 76813-1X |
| 610827-2 | Standard | 3.92 | 707338-2X | 707022-1X | 706025X | 707025-1X | 76812-1X | 76813-1X |
| 610834-1 | Standard | 3.54 | 707338-1X | 707021-1X | 706024X | 707025-1X | 708060 | 708061 |
| 610834-2 | Standard | 3.92 | 707338-2X | 707022-1X | 706025X | 707025-1X | 708060 | 708061 |
| 610835-1 | Standard | 3.54 | 707338-1X | 707021-1X | 706024X | 707025-1X | 708060 | 708061 |
| 610835-2 | Standard | 3.92 | 707338-2X | 707022-1X | 706025X | 707025-1X | 708060 | 708061 |
| 2000 W1500 | | | | | | | | |
| 610800-1 | Standard | 3.54 | 707338-1X | 707021-1X | 706024X | 707025-1X | 76812-1X | 76813-1X |
| 610800-2 | Standard | 3.92 | 707338-2X | 707022-1X | 706025X | 707025-1X | 76812-1X | 76813-1X |
| 610801-1 | Standard | 3.54 | 707338-1X | 707021-1X | 706024X | 707025-1X | 76812-1X | 76813-1X |
| 610801-2 | Standard | 3.92 | 707338-2X | 707022-1X | 706025X | 707025-1X | 76812-1X | 76813-1X |
| 610847-1 | Standard | 3.54 | 707338-1X | 707021-1X | 706024X | 707025-1X | 708060 | 708061 |
| 610847-2 | Standard | 3.92 | 707338-2X | 707022-1X | 706025X | 707025-1X | 708060 | 708061 |
| 610847-3 | Standard | 4.10 | 707338-5X | 707021-1X | 706024X | 707025-1X | 708060 | 708061 |
| 610848-1 | Standard | 3.54 | 707338-1X | 707021-1X | 706024X | 707025-1X | 708060 | 708061 |
| 610848-2 | Standard | 3.92 | 707338-2X | 707021-1X | 706024X | 707025-1X | 708060 | 708061 |
| 610938-1 | Standard | 3.54 | 707338-1X | 707021-1X | 706024X | 707025-1X | 708060 | 708061 |
| 610938-2 | Standard | 3.92 | 707338-2X | 707022-1X | 706025X | 707025-1X | 708060 | 708061 |
| 610939-1 | Standard | 3.54 | 707338-1X | 707021-1X | 706024X | 707025-1X | 708060 | 708061 |
| 610939-2 | Standard | 3.92 | 707338-2X | 707022-1X | 706025X | 707025-1X | 708060 | 708061 |
| 2000 W1500 Off Road Axle | | | | | | | | |
| 610911-1 | Standard | 4.10 | 707338-5X | 707021-1X | 706024X | 707025-1X | 708060 | 708061 |
| 610940-1 | Standard | 4.10 | 707338-5X | 707021-1X | 706024X | 707025-1X | 708060 | 708061 |
| 2000-01 W1500 | | | | | | | | |
| 611048-1 | Standard | 3.54 | 707338-1X | 707021-1X | 706024X | 707025-1X | 708060 | 708061 |
| 611048-2 | Standard | 3.92 | 707338-2X | 707022-1X | 706025X | 707025-1X | 708060 | 708061 |
| 611049-1 | Standard | 3.54 | 707338-1X | 707021-1X | 706024X | 707025-1X | 708060 | 708061 |
| 611049-2 | Standard | 3.92 | 707338-2X | 707022-1X | 706025X | 707025-1X | 708060 | 708061 |
| 611050-1 | Standard | 4.10 | 707338-5X | 707021-1X | 706024X | 707025-1X | 708060 | 708061 |
| 2001 W1500 | | | | | | | | |
| 611149-1 | Standard | 3.54 | 707338-1X | 707021-1X | 706024X | 707025-1X | 708060 | 708061 |
| 611149-2 | Standard | 3.92 | 707338-2X | 707022-1X | 706024X | 707025-1X | 708060 | 708061 |
| 611150-1 | Standard | 3.54 | 707338-1X | 707021-1X | 706024X | 707025-1X | 708060 | 708061 |
| 611150-2 | Standard | 3.92 | 707338-2X | 707022-1X | 706025X | 707025-1X | 708060 | 708061 |
| 611151-1 | Standard | 4.10 | 707338-5X | 707021-1X | 706024X | 707025-1X | 708060 | 708061 |

(7) See Ring Gear & Pinion Kits in XGI Catalog for ratio & tooth combinations.

(8) See Differential Case Assy Kits in XGI Catalog for spline data & ratios.

Chrysler/Dodge 44/216 Disconnect Front Variable Parts Listing



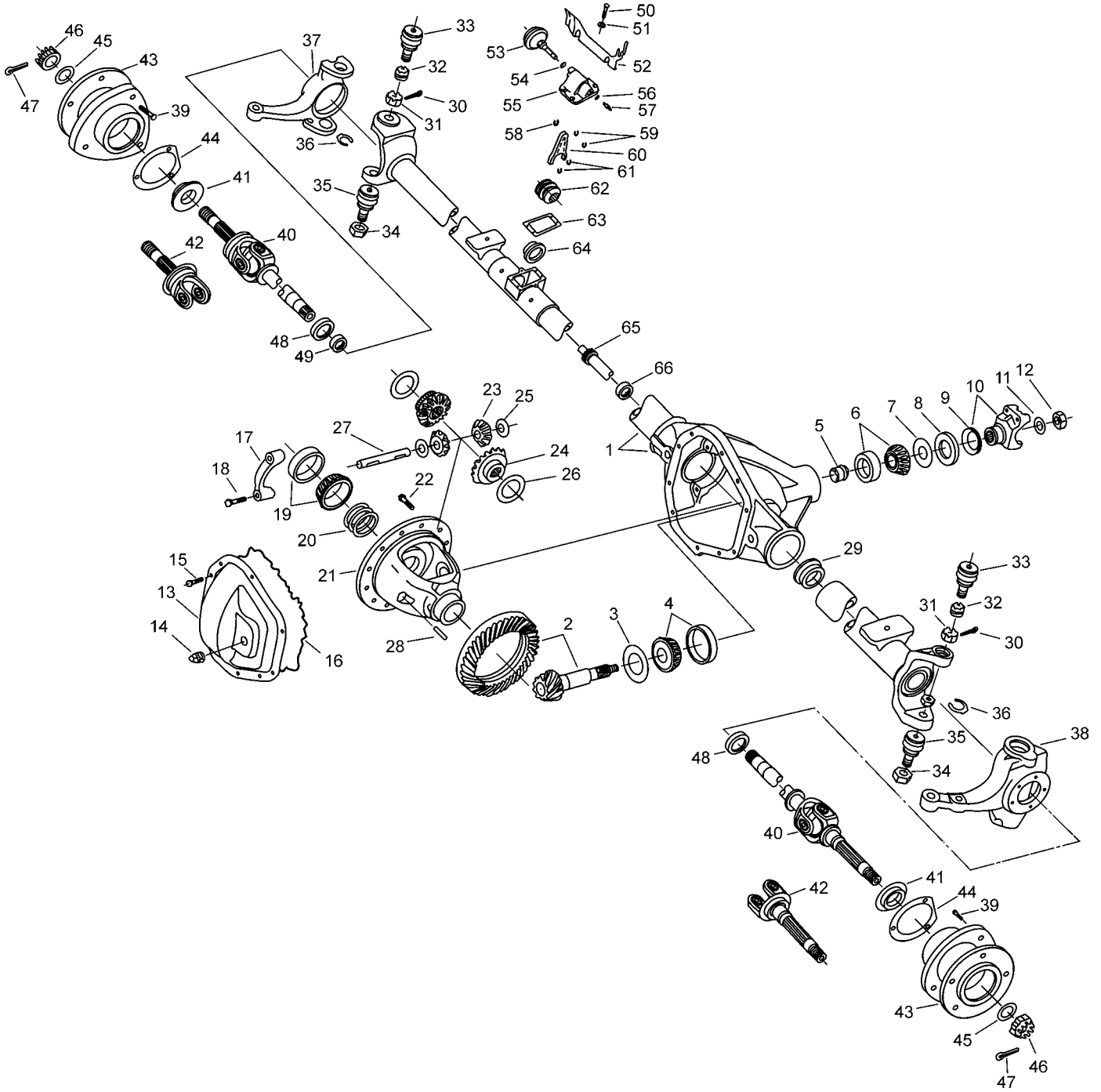
| Kits & Parts - Use With All Applications | | | | | | | |
|---|------------------------------------|----|--|-------------------------------------|--------------------------|--------------------------|---------------|
| Description & Item Number (Refer to the "Exploded View" at the front of this section) | | | Bills of Material | | | | |
| | | | 610786 | 610787 | 610800 610801 | 610826 | 610827 |
| 1 | Seal - Pinion Oil | 8 | 44895 | 44895 | 47761 | 44895 | 44895 |
| 2 | Seal - End Yoke | 9 | 232549 | 232549 | 47762 | 232549 | 232549 |
| 3 | End Yoke Assembly (inc 9) | 10 | 2-4-7651-1X | 2-4-7651-1X | - (10) | 2-4-7651-1X | 2-4-7651-1X |
| 4 | KIT - Socket Assembly | - | 707315X | 707315X | 707315X | 707315X | 707315X |
| 5 | Lock Nut | 33 | 35566 | 35566 | 35566 | 35566 | 35566 |
| 6 | Lower Socket | 34 | 40113 | 40113 | 40113 | 40113 | 40113 |
| 7 | Stop Screw | 35 | 31026-3 | 31026-3 | - | 31026-3 | 31026-3 |
| 8 | Jam Nut | 36 | 49270 | 49270 | - | 49270 | 49270 |
| 9 | Shaft & Tone Ring/Slinger Assembly | 41 | 74917X (11) | 74917X (11) | 74917X (11) | 74917X (11) | 74917X (11) |
| 10 | Spacer - Flat | 43 | 44997 | 48352 | - | 44997 | 48352 |
| | | | 610834 | 610835 | 610847 610848 | 610911 610938 | 610939 |
| 1 | Seal - Pinion Oil | 8 | 44895 | 44895 | 50092 | 50092 | 50092 |
| 2 | Seal - End Yoke | 9 | 232549 | 232549 | 47762 | 47762 | 47762 |
| 3 | End Yoke Assembly (inc 9) | 10 | 2-4-7651-1X | 2-4-7651-1X | 2-4-8431-1 | 2-4-8431-1 | 2-4-8431-1 |
| 4 | KIT - Socket Assembly | - | 707315X | 707315X | 708072 | 708072 | 708072 |
| 5 | Lock Nut | 33 | 35566 | 35566 | 50153 | 50153 | 50153 |
| 6 | Lower Socket | 34 | 40113 | 40113 | 50154 | 50154 | 50154 |
| 7 | Stop Screw | 35 | 31026-3 | 31026-3 | - | 49501 | - |
| 8 | Jam Nut | 36 | 49270 | 49270 | - | - | - |
| 9 | Shaft & Slinger Assembly | 41 | 80566 | 80566 | 80566 | 80566 | 80566 |
| 10 | Spacer - Flat | 43 | 44997 | 48352 | - | - | - |
| | | | 610940 611048 611049 611050 | 611149 611150 611151 | | | |
| 1 | Seal - Pinion Oil | 8 | 50092 | 50092 | | | |
| 2 | Seal - End Yoke | 9 | 47762 | 47762 | | | |
| 3 | End Yoke Assembly (inc 9) | 10 | 2-4-8431-1 | 2-4-8431-1 | | | |
| 4 | KIT - Socket Assembly | - | 708072 | 708072 | | | |
| 5 | Lock Nut | 33 | 50153 | 50153 | | | |
| 6 | Lower Socket | 34 | 50154 | 50154 | | | |
| 7 | Stop Screw | 35 | 49501 | 50752 | | | |
| 8 | Jam Nut | 36 | - | - | | | |
| 9 | Shaft & Slinger Assembly | 41 | 80566 | 80566 | | | |
| 10 | Spacer - Flat | 43 | - | - | | | |

(10) 7290 Series used in vehicle. Service 1330 Series using 2-4-8431-1, 5-637X and 2-70-18X

(11) 74917X is used in some non-ABS applications; check tone ring for interference fit.

**Model 60 /248
Front Disconnect Axles for
W2500HD, W3500 &
Non-ABS Air Force Tow Vehicle**

Chrysler/Dodge 60/248 Front Disconnect Exploded View



Chrysler/Dodge 60/248 Front Disconnect Parts Listing



| ITEM NO. | PART NUMBER | DESCRIPTION | ITEM NO. | PART NUMBER | DESCRIPTION |
|----------|-------------|-------------------------------------|----------|-------------|-----------------------------------|
| 1 | -(3) | Housing - Axle Service | 34 | -(2) | Lock Nut |
| 2 | -(1) | Drive Pinion & Gear Assembly | 35 | -(2) | Lower Socket |
| 3 | 701126X | PKG - Inner Pinion Bearing Shim | 36 | -(2) | Snap Ring |
| 4 | 706046X | KIT - Inner Pinion Bearing | 37 | -(3) | Knuckle (RH) |
| 5 | 45658 | Collapsible Spacer | 38 | -(3) | Knuckle (LH) |
| 6 | 706045X | KIT - Outer Pinion Bearing | 39 | -(2) | Bolt - Knuckle/Hub |
| 7 | 42737 | Thrustwasher - Bearing | 40 | -(1) | Shaft & Joint Assembly |
| 8 | -(2) | Seal - Pinion Oil | 41 | -(4) | Slinger |
| 9 | -(2) | Seal - End Yoke | 42 | -(2) | Outer Shaft & Slinger Assembly |
| 10 | -(2) | End Yoke Assy (inc 9) or Flange | 43 | -(3) | Hub Assembly |
| 11 | 30275 | Washer - Pinion Nut | 44 | -(2) | Spacer - Flat |
| 12 | 30271 | Pinion Nut | 45 | 45523 | Washer - Flat |
| | -(2) | KIT-Carrier Cover (inc 13,14,15,16) | 46 | 46085 | Nut - Slotted |
| 13 | -(4) | Carrier Cover | 47 | 500025-10 | Cotter Pin |
| 14 | 43180 | Plug - Carrier Cover | 48 | -(2) | Oil Seal - Outer Tube |
| 15 | 34822 | Bolt - Carrier Cover (qty 10) | 49 | 43337 | Bushing |
| 16 | 38615 | RTV Silicone Sealant | 50 | 500396-10 | Bolt - Disconnect Assembly |
| 17 | -(3) | Differential Bearing Cap | 51 | 500357-9 | Lockwasher - Disconnect Assembly |
| 18 | 48632-1 | Bolt - Differential Bearing Cap | 52 | 43424 | Protection Shield |
| 19 | 706047X | KIT - Differential Bearing | | -(3) | Disconnect Cover & Motor Assembly |
| 20 | 708012 | PKG - Diff & Pinion Bearing Shim | 53 | -(4) | Motor Assembly |
| 21 | -(1) | Case - Differential | 54 | -(4) | O-Ring |
| 22 | 40638 | Bolt - Drive Gear (qty 12) | 55 | -(4) | Cover - Housing |
| 23 | -(2) | Pinion - Differential | 56 | -(4) | O-Ring |
| 24 | -(2) | Gear - Differential | 57 | -(4) | Switch Assembly |
| 25 | 34730 | Thrustwasher - Differential Pinion | 58 | -(4) | Snap Ring |
| 26 | -(2) | Thrustwasher - Differential Gear | 59 | -(4) | Snap Ring |
| 27 | 30263 | Shaft - Differential | 60 | -(4) | Shift Fork |
| 28 | 44810 | Lock - Differential Shaft | 61 | -(4) | Clip |
| 29 | -(2) | Seal - Tube (Left Side) | 62 | -(2) | Clutch Collar |
| | -(2) | KIT - Socket Assembly | 63 | 41494 | Gasket |
| 30 | 500024-9 | Cotter Pin | 64 | -(2) | Seal - Tube (right side) |
| 31 | -(2) | Nut - Slotted | 65 | -(2) | Output Shaft |
| 32 | -(2) | Bushing - 0° Caster | 66 | -(2) | Bearing Assy or Synthetic Bushing |
| 33 | -(2) | Upper Socket | | | |

- (1) See "Bill of Material Table" on next page
(2) See "Variable Parts Table" within this section
(3) Contact Vehicle Manufacturer
(4) Not Sold Separately

Chrysler/Dodge 60/248 Front Disconnect Bill of Material Table

| Axle | | | Axle Kits | | | | Shaft & Joint Assy. | |
|--------------------------------------|------------|-------|---------------------------------------|-------------------------------|----------|-----------------|------------------------|-----------------------|
| Bill of Material | Diff. Type | Ratio | Ring Gear & Pinion Kit ⁽⁷⁾ | Differential | | | Right Hand Shaft Assy. | Left Hand Shaft Assy. |
| | | | | Case Assy. Kit ⁽⁸⁾ | Case Kit | Inner Parts Kit | | |
| 1999 Air Force Tow Vehicle | | | | | | | | |
| 610832-1 | Standard | 7.17 | 707345-3X | 706037X | 706041X | 706043X | 76471X | 76472X |
| 1999 D3500 (Dead Front) | | | | | | | | |
| 610840 | | | | | | | | |
| 1999 D3500 (Dead Front) w/ABS | | | | | | | | |
| 610831 | | | | | | | | |
| 1999 W2500 HD | | | | | | | | |
| 610788-1 | Standard | 3.54 | 708009-1 | 707339-1X | 706040X | 707340-1X | 76471X | 76472X |
| 610788-2 | Standard | 4.10 | 708009-2 | 707339-1X | 706040X | 707340-1X | 76471X | 76472X |
| 610828-1 | Standard | 3.54 | 708009-1 | 707339-1X | 706040X | 707340-1X | 76471X | 76472X |
| 610828-2 | Standard | 4.10 | 708009-2 | 707339-1X | 706040X | 707340-1X | 76471X | 76472X |
| 1999 W2500 HD w/ABS | | | | | | | | |
| 610829-1 | Standard | 3.54 | 708009-1 | 707339-1X | 706040X | 707340-1X | 76471X | 76472X |
| 610829-2 | Standard | 4.10 | 708009-2 | 707339-1X | 706040X | 707340-1X | 76471X | 76472X |
| 1999 W3500 | | | | | | | | |
| 610789-1 | Standard | 3.54 | 708009-1 | 707339-1X | 706040X | 707340-1X | 76471X | 76472X |
| 610789-2 | Standard | 4.10 | 708009-2 | 707339-1X | 706040X | 707340-1X | 76471X | 76472X |
| 610791-1 | Standard | 3.54 | 708009-1 | 707339-1X | 706040X | 707340-1X | 76471X | 76472X |
| 610791-2 | Standard | 4.10 | 708009-2 | 707339-1X | 706040X | 707340-1X | 76471X | 76472X |
| 610830-1 | Standard | 3.54 | 708009-1 | 707339-1X | 706040X | 707340-1X | 76471X | 76472X |
| 610830-2 | Standard | 4.10 | 708009-2 | 707339-1X | 706040X | 707340-1X | 76471X | 76472X |
| 2000 Air Force Tow Vehicle | | | | | | | | |
| 610899-1 | Standard | 7.17 | 707345-3X | 708048-1 | 706041X | 708049 | 708063 | 708064 |
| 2000 D3500 (Dead Front) | | | | | | | | |
| 610898 | | | | | | | | |
| 611058 | | | | | | | | |
| 611079 | | | | | | | | |
| 2000 D3500 (Dead Front) w/ABS | | | | | | | | |
| 610839 | | | | | | | | |
| 610943 | | | | | | | | |
| 611057 | | | | | | | | |
| 610794 | | | | | | | | |
| 611078 | | | | | | | | |
| 2000 W2500 HD | | | | | | | | |
| 610836-1 | Standard | 3.54 | 708009-1 | 708048 | 706040X | 708049 | 708063 | 708064 |
| 610836-2 | Standard | 4.10 | 708009-2 | 708048 | 706040X | 708049 | 708063 | 708064 |
| 611075-1 | Standard | 3.54 | 708009-1 | 708048 | 706040X | 708049 | 708063 | 708064 |
| 611075-2 | Standard | 4.10 | 708009-2 | 708048 | 706040X | 708049 | 708063 | 708064 |
| 2000 W2500 HD w/ABS | | | | | | | | |
| 610837-1 | Standard | 3.54 | 708009-1 | 708048 | 706040X | 708049 | 708063 | 708064 |
| 610837-2 | Standard | 4.10 | 708009-2 | 708048 | 706040X | 708049 | 708063 | 708064 |
| 610941-1 | Standard | 3.54 | 708009-1 | 708048 | 706040X | 708049 | 708063 | 708064 |
| 610941-2 | Standard | 4.10 | 708009-2 | 708048 | 706040X | 708049 | 708063 | 708064 |
| 611076-1 | Standard | 3.54 | 708009-1 | 708048 | 706040X | 708049 | 708063 | 708064 |
| 611076-2 | Standard | 4.10 | 708009-2 | 708048 | 706040X | 708049 | 708063 | 708064 |

(7) See Ring Gear & Pinion Kits in XGI Catalog for ratio & tooth combinations.

(8) See Differential Case Assy Kits in XGI Catalog for spline data & ratios.

Chrysler/Dodge 60/248 Front Disconnect

Bill of Material Table

| Axle | | | Axle Kits | | | | Shaft & Joint Assy. | |
|--|------------|-------|---------------------------------------|-------------------------------|----------|-----------------|------------------------|-----------------------|
| Bill of Material | Diff. Type | Ratio | Ring Gear & Pinion Kit ⁽⁷⁾ | Differential | | | Right Hand Shaft Assy. | Left Hand Shaft Assy. |
| | | | | Case Assy. Kit ⁽⁸⁾ | Case Kit | Inner Parts Kit | | |
| 2000 W3500 | | | | | | | | |
| 610838-1 | Standard | 3.54 | 708009-1 | 708048 | 706040X | 708049 | 708063 | 708064 |
| 610838-2 | Standard | 4.10 | 708009-2 | 708048 | 706040X | 708049 | 708063 | 708064 |
| 610942-1 | Standard | 3.54 | 708009-1 | 708048 | 706040X | 708049 | 708063 | 708064 |
| 610942-2 | Standard | 4.10 | 708009-2 | 708048 | 706040X | 708049 | 708063 | 708064 |
| 611077-1 | Standard | 3.54 | 708009-1 | 708048 | 706040X | 708049 | 708063 | 708064 |
| 611077-2 | Standard | 4.10 | 708009-2 | 708048 | 706040X | 708049 | 708063 | 708064 |
| 2000-01 W2500 Air Force Tow Vehicle | | | | | | | | |
| 611059-1 | Standard | 7.17 | 707345-3X | 708048-1 | 706041X | 708049 | 708063 | 708064 |
| 2000-01 W2500 HD | | | | | | | | |
| 611054-1 | Standard | 3.54 | 708009-1 | 708048 | 706040X | 708049 | 708063 | 708064 |
| 611054-2 | Standard | 4.10 | 708009-2 | 708048 | 706040X | 708049 | 708063 | 708064 |
| 2000-01 W2500 HD w/ABS | | | | | | | | |
| 611055-1 | Standard | 3.54 | 708009-1 | 708048 | 706040X | 708049 | 708063 | 708064 |
| 611055-2 | Standard | 4.10 | 708009-2 | 708048 | 706040X | 708049 | 708063 | 708064 |
| 2000-01 W3500 | | | | | | | | |
| 611056-1 | Standard | 3.54 | 708009-1 | 708048 | 706040X | 708049 | 708063 | 708064 |
| 611056-2 | Standard | 4.10 | 708009-2 | 708048 | 706040X | 708049 | 708063 | 708064 |
| 2001 D3500 (Dead Front) | | | | | | | | |
| 611157 | | | | | | | | |
| 2001 D3500 (Dead Front) w/ABS | | | | | | | | |
| 611156 | | | | | | | | |
| 2001 W2500 HD | | | | | | | | |
| 611153-1 | Standard | 3.54 | 708009-1 | 708048 | 706040X | 708049 | 708063 | 708064 |
| 611153-2 | Standard | 4.10 | 708009-2 | 708048 | 706040X | 708049 | 708063 | 708064 |
| 2001 W2500 HD w/ABS | | | | | | | | |
| 611154-1 | Standard | 3.54 | 708009-1 | 708048 | 706040X | 708049 | 708063 | 708064 |
| 611154-2 | Standard | 4.10 | 708009-2 | 708048 | 706040X | 708049 | 708063 | 708064 |
| 2001 W3500 | | | | | | | | |
| 611155-1 | Standard | 3.54 | 708009-1 | 708048 | 706040X | 708049 | 708063 | 708064 |
| 611155-2 | Standard | 4.10 | 708009-2 | 708048 | 706040X | 708049 | 708063 | 708064 |
| 2001 1/2 D3500 (Dead Front) | | | | | | | | |
| 611172 | | | | | | | | |
| 2001 1/2 W2500 HD | | | | | | | | |
| 611176-1 | Standard | 3.54 | 708009-1 | 708048 | 706040X | 708049 | 708063 | 708064 |
| 611176-2 | Standard | 4.10 | 708009-2 | 708048 | 706040X | 708049 | 708063 | 708064 |
| 2001 1/2 W2500 HD w/ABS | | | | | | | | |
| 611173-1 | Standard | 3.54 | 708009-1 | 708048 | 706040X | 708049 | 708063 | 708064 |
| 611173-2 | Standard | 4.10 | 708009-2 | 708048 | 706040X | 708049 | 708063 | 708064 |
| 2001 1/2 W3500 | | | | | | | | |
| 611174-1 | Standard | 3.54 | 708009-1 | 708048 | 706040X | 708049 | 708063 | 708064 |
| 611174-2 | Standard | 4.10 | 708009-2 | 708048 | 706040X | 708049 | 708063 | 708064 |
| 2001 1/2 D3500 (Dead Front) w/ABS | | | | | | | | |
| 611175 | | | | | | | | |

(7) See Ring Gear & Pinion Kits in XGI Catalog for ratio & tooth combinations.

(8) See Differential Case Assy Kits in XGI Catalog for spline data & ratios.

Chrysler/Dodge 60/248 Front Disconnect Variable Parts Listing

| Kits & Parts - Use With All Applications | | | | | | | |
|---|-----------------------------------|----|-------------------|-------------|-------------|----------------------------|-------------|
| Description & Item Number (Refer to the "Exploded View" at the front of this section) | | | Bills of Material | | | | |
| | | | 610788 610789 | 610791 | 610794 | 610828 | 610829 |
| 1 | Seal - Pinion Oil | 8 | 42449 | 42449 | - | 42449 | 42449 |
| 2 | Seal - End Yoke | 9 | 34592 | 34592 | - | 34592 | 34592 |
| 3 | End Yoke Assy (inc 9) or Flange | 10 | 2-4-7681-1X | 2-4-7681-1X | - | 2-4-7681-1X | 2-4-7681-1X |
| 4 | KIT - Carrier Cover | - | 707335X | 707335X | - | 707335X | 707335X |
| 5 | Pinion - Differential | 23 | 46354 | 46354 | - | 46354 | 46354 |
| 6 | Gear - Differential | 24 | 46355 | 46355 | - | 46355 | 46355 |
| 7 | Thrustwasher - Differential Gear | 26 | 46146 | 46146 | - | 46146 | 46146 |
| 8 | Seal - Tube (Left Side) | 29 | 620216 | 620216 | - | 620216 | 620216 |
| 9 | KIT - Socket Assembly | - | 707469X | 707469X | 708047 | 707469X | 707469X |
| 10 | Nut - Slotted | 31 | 44101 | 44101 | 41864 | 44101 | 44101 |
| 11 | Bushing - 0° Caster | 32 | 44507 | 44507 | - | 44507 | 44507 |
| 12 | Upper Socket | 33 | 40126 | 40126 | 49476 | 40126 | 40126 |
| 13 | Lock Nut | 34 | 44133 | 44133 | 35566 | 44133 | 44133 |
| 14 | Lower Socket | 35 | 44627 | 44627 | 49477 | 44627 | 44627 |
| 15 | Snap Ring | 36 | 620343 | 620343 | 49478 | 620343 | 620343 |
| 16 | Bolt - Knuckle/Hub | 39 | 45524 | 45524 | - | 45524 | 45524 |
| 17 | Outer Shaft & Slinger Assembly | 42 | 75689X | - | 80113 | 75689X | 75689X |
| 18 | Spacer - Flat | 47 | 45935 | 48355 | - | 45935 | 48355 |
| 19 | Oil Seal | 51 | - | - | - | - | - |
| 20 | Clutch Collar | 65 | 46401 | 46401 | - | 46401 | 46401 |
| 21 | Seal - Tube (right side) | 67 | 43154 | 43154 | - | 43154 | 43154 |
| 22 | Output Shaft | 68 | 45531 | 45531 | - | 45531 | 45531 |
| 23 | Bearing Assy or Synthetic Bushing | 69 | 566008 | 566008 | - | 566008 | 566008 |
| | | | | | | | |
| | | | 610830 | 610831 | 610832 | 610836 610837 610838 | 610839 |
| 1 | Seal - Pinion Oil | 8 | 42449 | - | 42449 | 47885 | - |
| 2 | Seal - End Yoke | 9 | 34592 | - | 34592 | 47886 | - |
| 3 | End Yoke Assy (inc 9) or Flange | 10 | 2-4-7681-1X | - | 2-4-7681-1X | 2-4-8421-1 | - |
| 4 | KIT - Carrier Cover | - | 707335X | - | 707335X | 708050 | - |
| 5 | Pinion - Differential | 23 | 46354 | - | 34367 | 46354 | - |
| 6 | Gear - Differential | 24 | 46355 | - | 34394 | 49482 | - |
| 7 | Thrustwasher - Differential Gear | 26 | 46146 | - | 34729 | 46146 | - |
| 8 | Seal - Tube (Left Side) | 29 | 620216 | - | 620216 | 49489 | - |
| 9 | KIT - Socket Assembly | - | 707469X | 707469X | 707469X | 708047 | 708047 |
| 10 | Nut - Slotted | 31 | 44101 | 44101 | 44101 | 41864 | 41864 |
| 11 | Bushing - 0° Caster | 32 | 44507 | 44507 | 44507 | - | - |
| 12 | Upper Socket | 33 | 40126 | 40126 | 40126 | 49476 | 49476 |
| 13 | Lock Nut | 34 | 44133 | 44133 | 44133 | 35566 | 35566 |
| 14 | Lower Socket | 35 | 44627 | 44627 | 44627 | 49477 | 49477 |
| 15 | Snap Ring | 36 | 620343 | 620343 | 620343 | 49478 | 49478 |
| 16 | Bolt - Knuckle/Hub | 39 | 45524 | 45524 | 45524 | 49466 | 49466 |
| 17 | Outer Shaft & Slinger Assembly | 42 | 75689X | 74777X | 75689X | 80375 | 80113 |
| 18 | Spacer - Flat | 47 | 48355 | 48355 | 45935 | - | - |
| 19 | Oil Seal | 51 | - | - | - | 50381 | - |
| 20 | Clutch Collar | 65 | 46401 | - | 46401 | 49495 | - |
| 21 | Seal - Tube (right side) | 67 | 43154 | - | 43154 | 49485 | - |
| 22 | Output Shaft | 68 | 45531 | - | 45531 | 49490 | - |
| 23 | Bearing Assy or Synthetic Bushing | 69 | 566008 | - | 566008 | 49488 | - |

Chrysler/Dodge 60/248 Front Disconnect Variable Parts Listing



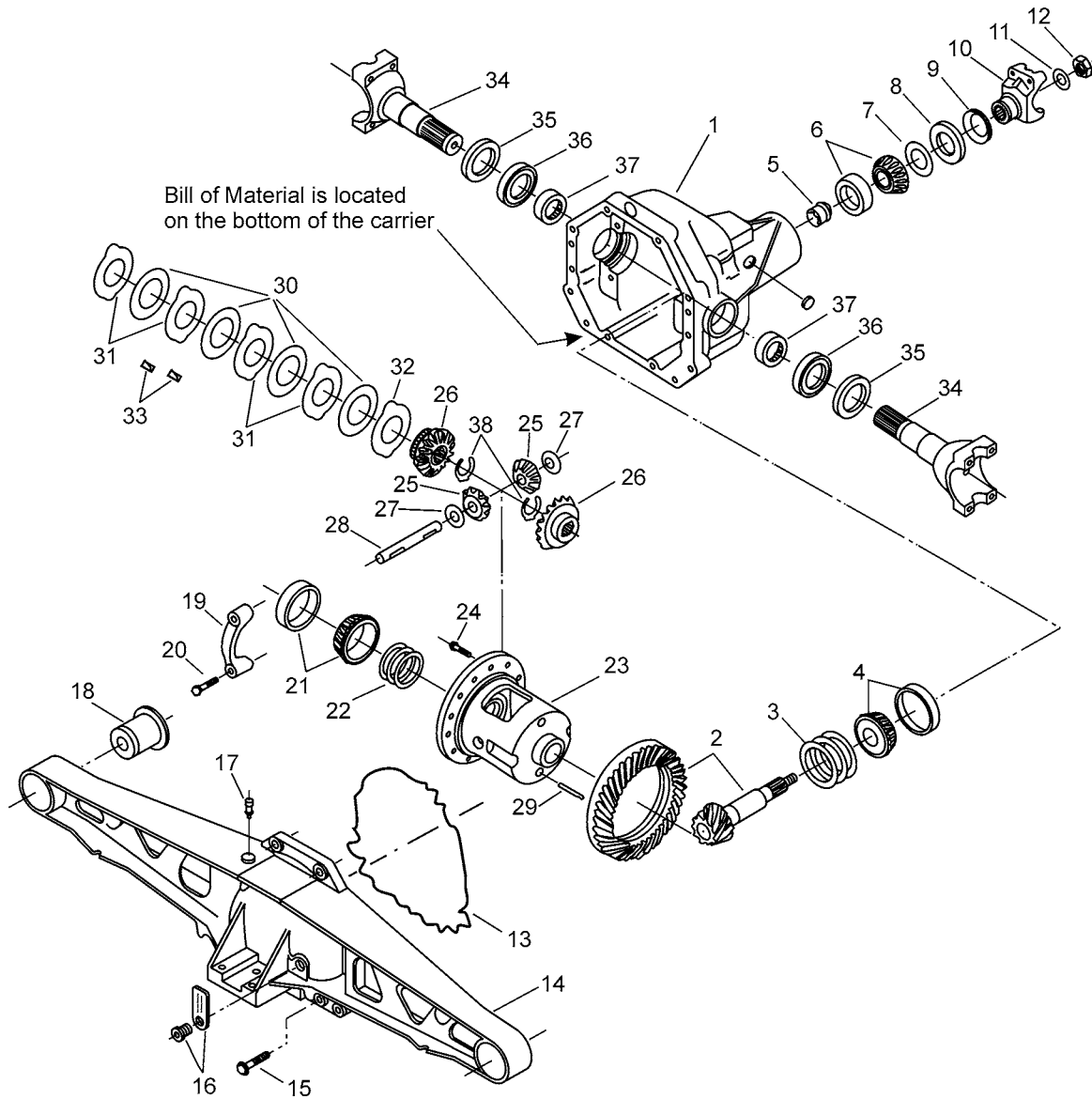
| Kits & Parts - Use With All Applications | | | | | | | |
|---|-----------------------------------|----|--------------------------|---------------|-------------------------------------|--------------------------|-------------------------------------|
| Description & Item Number (Refer to the "Exploded View" at the front of this section) | | | Bills of Material | | | | |
| | | | 610840 | 610898 | 610899 610941 610942 | 610943 | 611054 611055 611056 |
| 1 | Seal - Pinion Oil | 8 | - | - | 47885 | - | 47885 |
| 2 | Seal - End Yoke | 9 | - | - | 47886 | - | 47886 |
| 3 | End Yoke Assy (inc 9) or Flange | 10 | - | - | 2-4-8421-1 | - | 2-4-8421-1 |
| 4 | KIT - Carrier Cover | - | - | - | 708050 | - | 708050 |
| 5 | Pinion - Differential | 23 | - | - | 46354 | - | 46354 |
| 6 | Gear - Differential | 24 | - | - | 49482 | - | 49482 |
| 7 | Thrustwasher - Differential Gear | 26 | - | - | 46146 | - | 46146 |
| 8 | Seal - Tube (Left Side) | 29 | - | - | 49489 | - | 49489 |
| 9 | KIT - Socket Assembly | - | 707469X | 708047 | 708047 | 708047 | 708047 |
| 10 | Nut - Slotted | 31 | 44101 | 41864 | 41864 | 41864 | 41864 |
| 11 | Bushing - 0° Caster | 32 | 44507 | - | - | - | - |
| 12 | Upper Socket | 33 | 40126 | 49476 | 49476 | 49476 | 49476 |
| 13 | Lock Nut | 34 | 44133 | 35566 | 35566 | 35566 | 35566 |
| 14 | Lower Socket | 35 | 44627 | 49477 | 49477 | 49477 | 49477 |
| 15 | Snap Ring | 36 | 620343 | 49478 | 49478 | 49478 | 49478 |
| 16 | Bolt - Knuckle/Hub | 39 | 45524 | 49466 | 49466 | 49466 | 49466 |
| 17 | Outer Shaft & Slinger Assembly | 42 | 74777X | 80113 | 80375 | 80113 | 80375 |
| 18 | Spacer - Flat | 47 | 48355 | - | - | - | - |
| 19 | Oil Seal | 51 | - | - | 50381 | - | 50381 |
| 20 | Clutch Collar | 65 | - | - | 49495 | - | 49495 |
| 21 | Seal - Tube (right side) | 67 | - | - | 49485 | - | 49485 |
| 22 | Output Shaft | 68 | - | - | 49490 | - | 49490 |
| 23 | Bearing Assy or Synthetic Bushing | 69 | - | - | 49488 | - | 49488 |
| | | | 611057 611058 | 611059 | 611075 611076 611077 | 611078 611079 | 611153 611154 611155 |
| 1 | Seal - Pinion Oil | 8 | - | 47885 | 47885 | - | 47885 |
| 2 | Seal - End Yoke | 9 | - | 47886 | 47886 | - | 47886 |
| 3 | End Yoke Assy (inc 9) or Flange | 10 | - | 2-4-8421-1 | 2-4-8421-1 | - | 2-4-8421-1 |
| 4 | KIT - Carrier Cover | - | - | 708050 | 708050 | - | 708050 |
| 5 | Pinion - Differential | 23 | - | 46354 | 46354 | - | 46354 |
| 6 | Gear - Differential | 24 | - | 49482 | 49482 | - | 49482 |
| 7 | Thrustwasher - Differential Gear | 26 | - | 46146 | 46146 | - | 46146 |
| 8 | Seal - Tube (Left Side) | 29 | - | 49489 | 49489 | - | 49489 |
| 9 | KIT - Socket Assembly | - | 708047 | 708047 | 708047 | 708047 | 708047 |
| 10 | Nut - Slotted | 31 | 41864 | 41864 | 41864 | 41864 | 41864 |
| 11 | Bushing - 0° Caster | 32 | - | - | - | - | - |
| 12 | Upper Socket | 33 | 49476 | 49476 | 49476 | 49476 | 49476 |
| 13 | Lock Nut | 34 | 35566 | 35566 | 35566 | 35566 | 35566 |
| 14 | Lower Socket | 35 | 49477 | 49477 | 49477 | 49477 | 49477 |
| 15 | Snap Ring | 36 | 49478 | 49478 | 49478 | 49478 | 49478 |
| 16 | Bolt - Knuckle/Hub | 39 | 49466 | 49466 | 49466 | 49466 | 49466 |
| 17 | Outer Shaft & Slinger Assembly | 42 | 80113 | 80375 | 80375 | 80113 | 80375 |
| 18 | Spacer - Flat | 47 | - | - | - | - | - |
| 19 | Oil Seal | 51 | - | 50381 | 50381 | - | 50381 |
| 20 | Clutch Collar | 65 | - | 49495 | 49495 | - | 49495 |
| 21 | Seal - Tube (right side) | 67 | - | 49485 | 49485 | - | 49485 |
| 22 | Output Shaft | 68 | - | 49490 | 49490 | - | 49490 |
| 23 | Bearing Assy or Synthetic Bushing | 69 | - | 49488 | 49488 | - | 49488 |

Chrysler/Dodge 60/248 Front Disconnect Variable Parts Listing

| Kits & Parts - Use With All Applications | | | | | | |
|---|-----------------------------------|----|----------------------------|------------------|--------|------------|
| Description & Item Number (Refer to the "Exploded View" at the front of this section) | | | Bills of Material | | | |
| | | | 611156 611157 611172 | 611173 611174 | 611175 | 611176 |
| 1 | Seal - Pinion Oil | 8 | - | 47885 | - | 47885 |
| 2 | Seal - End Yoke | 9 | - | 47886 | - | 47886 |
| 3 | End Yoke Assy (inc 9) or Flange | 10 | - | 2-4-8421-1 | - | 2-4-8421-1 |
| 4 | KIT - Carrier Cover | - | - | 708050 | - | 708050 |
| 5 | Pinion - Differential | 23 | - | 46354 | - | 46354 |
| 6 | Gear - Differential | 24 | - | 49482 | - | 49482 |
| 7 | Thrustwasher - Differential Gear | 26 | - | 46146 | - | 46146 |
| 8 | Seal - Tube (Left Side) | 29 | - | 49489 | - | 49489 |
| 9 | KIT - Socket Assembly | - | 708047 | 708047 | 708047 | 708047 |
| 10 | Nut - Slotted | 31 | 41864 | 41864 | 41864 | 41864 |
| 11 | Bushing - 0° Caster | 32 | - | - | - | - |
| 12 | Upper Socket | 33 | 49476 | 49476 | 49476 | 49476 |
| 13 | Lock Nut | 34 | 35566 | 35566 | 35566 | 35566 |
| 14 | Lower Socket | 35 | 49477 | 49477 | 49477 | 49477 |
| 15 | Snap Ring | 36 | 49478 | 49478 | 49478 | 49478 |
| 16 | Bolt - Knuckle/Hub | 39 | 49466 | 49466 | 49466 | 49466 |
| 17 | Outer Shaft & Slinger Assembly | 42 | 80113 | 80375 | 80113 | 80375 |
| 18 | Spacer - Flat | 47 | - | - | - | - |
| 19 | Oil Seal - | 51 | - | 50381 | - | 50381 |
| 20 | Clutch Collar | 65 | - | 49495 | - | 49495 |
| 21 | Seal - Tube (right side) | 67 | - | 49485 | - | 49485 |
| 22 | Output Shaft | 68 | - | 49490 | - | 49490 |
| 23 | Bearing Assy or Synthetic Bushing | 69 | - | 49488 | - | 49488 |

Model 44 /216 ICA Rear Axles for Viper

Chrysler/Dodge 44/216 ICA Rear Exploded View



Chrysler/Dodge 44/216 ICA Rear Parts Listing



| ITEM NO. | PART NUMBER | DESCRIPTION | ITEM NO. | PART NUMBER | DESCRIPTION |
|----------|-------------|---|----------|-------------|---|
| 1 | -(3) | Housing - Axle Service | 18 | 44467-2 | Bushing - Carrier Cover |
| 2 | -(1) | Drive Pinion & Gear Assembly | 19 | -(3) | Differential Bearing Cap |
| 3 | - | PKG - Inner Pinion Bearing Shim (select pkg. based on thickness req) | 20 | 41212 | Bolt - Differential Bearing Cap |
| | 72922-1X | Inner Pinion Shim (.030 to .034) | 21 | 706988X | KIT - Differential Bearing |
| | 72922-2X | Inner Pinion Shim (.035 to .039) | 22 | 701005X | PKG - Differential Bearing Shim |
| | 72922-3X | Inner Pinion Shim (.040 to .044) | 23 | -(1) | Case - Differential |
| | 72922-4X | Inner Pinion Shim (.045 to .049) | 24 | 41221 | Bolt - Drive Gear (qty 10) |
| | 72922-5X | Inner Pinion Shim (.050 to .054) | 25 | 41193 | Pinion - Differential |
| 4 | 707064X | KIT - Inner Pinion Bearing | 26 | 46618 | Gear - Differential |
| 5 | 43916 | Collapsible Spacer | 27 | 13338-3 | Thrustwasher - Differential Pinion |
| 6 | 706123X | KIT - Outer Pinion Bearing | 28 | 41219 | Shaft - Differential |
| 7 | 42737 | Thrustwasher - Bearing | 29 | 13449 | Lock - Differential Shaft |
| 8 | 42449 | Seal - Pinion Oil | | 707018X | KIT - Differential Plate & Disc (inc items 30, 31, 32, 33) |
| 9 | 42501 | Seal - End Yoke | 30 | -(4) | Disc - Differential |
| 10 | 3-4-12211-1 | End Yoke Assembly (inc 9) | 31 | -(4) | Plate - Differential Pressure |
| 11 | 30275 | Washer - Pinion Nut | 32 | -(4) | Plate - Differential Dished |
| 12 | 30271 | Pinion Nut | 33 | 40835 | Clip - Diff Clutch Retainer |
| 13 | 38615 | RTV Silicone Sealant | 34 | -(1) | Shaft - Inner Yoke (inc 35) |
| 14 | -(3) | Arm - Carrier Cover Support | 35 | 41218 | Seal Defector - Inner Yoke Shaft |
| 15 | 44300 | Screw - Carrier Cover | 36 | 45670 | Oil Seal |
| 16 | 39527 | Fill Plug | 37 | 566002 | Bearing - Yoke Shaft |
| 17 | 44780 | Breather Vent | 38 | 41323-8 | Snap Ring |

- (1) See "Bill of Material Table" below
 (2) See "Variable Parts Table" within this section
 (3) Contact Vehicle Manufacturer
 (4) Not Sold Separately

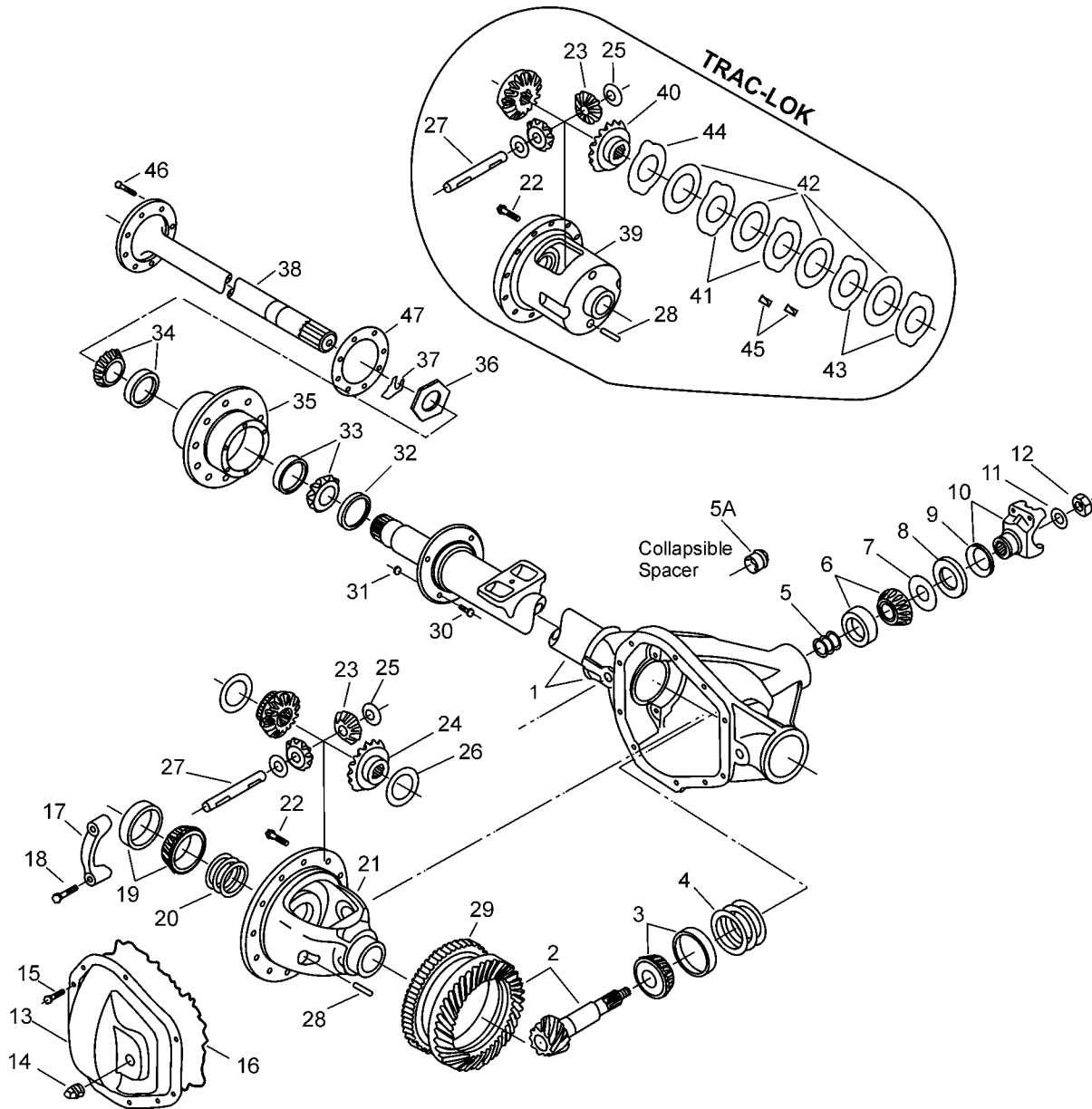
Bill of Material Table

| Axle | | | Axle Kits | | | | Shaft & Joint Assy. | |
|------------------------|------------|-------|---------------------------------------|-------------------------------|----------|-----------------|------------------------|-----------------------|
| Bill of Material | Diff. Type | Ratio | Ring Gear & Pinion Kit ⁽⁷⁾ | Differential | | | Right Hand Shaft Assy. | Left Hand Shaft Assy. |
| | | | | Case Assy. Kit ⁽⁸⁾ | Case Kit | Inner Parts Kit | | |
| 1998-2000 Viper | | | | | | | | |
| 606014-1 | Trac Lok | 3.07 | 75402-5X | 75499X | - | - | 74788-1X | 74788-2X |
| 2000 1/2 Viper | | | | | | | | |
| 606521-1 | Trac Lok | 3.07 | 80739-5 | 80740 | - | - | 74788-1X | 74788-2X |

- (7) See Ring Gear & Pinion Kits in XGI Catalog for ratio & tooth combinations.
 (8) See Differential Case Assy Kits in XGI Catalog for spline data & ratios.

**Model 60 /248
Rear Axles for
B-300 Maxivan HD**

Chrysler/Dodge 60/248 Rear Exploded View



Chrysler/Dodge 60/248 Rear Parts Listing



| ITEM NO. | PART NUMBER | DESCRIPTION | ITEM NO. | PART NUMBER | DESCRIPTION |
|----------|--------------|--|----------|-------------|------------------------------------|
| 1 | -(3) | Housing - Axle Service | 21 | -(1) | Case - Differential (std) |
| 2 | -(1) | Drive Gear & Pinion Assembly | 22 | 40638 | Bolt - Drive Gear (qty 12) |
| 3 | 706046X | KIT - Inner Pinion Bearing | 23 | 34367 | Pinion - Differential |
| | -(2) | PKG - Diff & Pinion Bearing Shim (inc items 4, 5, 12, 16, 20) | 24 | 34394 | Gear - Differential (std) |
| | -(2) | PKG - Pinion Bearing Shim (inc items 4, 5, 11, 12, 16) | 25 | 34730 | Thrustwasher - Differential Pinion |
| 4 | -(2) | Inner Pinion Bearing Shims | 26 | 34729 | Thrustwasher - Diff Gear (std) |
| 5 | -(2) | Outer Pinion Bearing Shims | 27 | 30263 | Shaft - Differential |
| 5A | -(2) | Collapsible Spacer | 28 | 44810 | Lock - Differential Shaft |
| 6 | 706045X | KIT - Outer Pinion Bearing | 29 | 42928 | Tone Ring (ABS) |
| 7 | 42737 | Thrustwasher | 30 | 44835 | Bolt - Brake Mounting |
| 8 | -(2) | Seal - Pinion Oil | 31 | 44836 | Nut - Brake Mounting |
| 9 | 34592 | Slinger - End Yoke | 32 | -(2) | Hub Seal |
| 10 | 3-4-11891-1X | End Yoke (inc 9) | 33 | -(3) | KIT - Inner Wheel Bearing |
| 11 | 30275 | Washer - Pinion Nut | 34 | -(3) | KIT - Outer Wheel Bearing |
| 12 | 30271 | Pinion Nut | 35 | -(3) | Wheel Hub |
| | 707183X | KIT - Carrier Cover (inc items 13, 14, 15, 16) | 36 | 47163 | Spindle Nut |
| 13 | 43788 | Carrier Cover | 37 | 46545 | Lockwasher / Locking Wedge |
| 14 | 43180 | Plug - Carrier Cover | 38 | -(1) | Shaft - Axle Flanged Drive |
| 15 | 34822 | Bolt - Carrier Cover (qty 10) | 39 | -(1) | Case - Differential (t/l) |
| 16 | 34687 | Gasket - Carrier Cover | 40 | 35803 | Gear - Differential (t/l) |
| | 38615 | RTV Silicone Sealant | 41 | 707083X | KIT - Disc & Plate (t/l) |
| 17 | -(3) | Cap - Differential Bearing | 42 | -(4) | Plate - Differential Pressure |
| 18 | 48632-1 | Bolt - Differential Bearing Cap | 43 | -(4) | Disc - Differential |
| 19 | 706047X | KIT - Differential Bearing | 44 | -(4) | Plate - Diff(selective thickness) |
| 20 | 708012 | KIT - Diff Bearing Shim (inc 16) | 45 | 40835 | Plate - Preload Spacer |
| | | | 46 | 45720 | Clip - Diff Clutch Retainer |
| | | | 47 | 39697 | Cap Screw |
| | | | | | Gasket |

- (1) See "Bill of Material Table" on next page
(2) See "Variable Parts Table" within this section
(3) Contact Vehicle Manufacturer
(4) Not Sold Separately
(6) See Shim Table in the back of this catalog

Chrysler/Dodge 60/248 Rear Bill of Material Table

| Axle | | | Axle Kits | | | | Shaft & Joint Assy. | |
|-----------------------------|------------|-------|---------------------------------------|-------------------------------|----------|-----------------|------------------------|-----------------------|
| Bill of Material | Diff. Type | Ratio | Ring Gear & Pinion Kit ⁽⁷⁾ | Differential | | | Right Hand Shaft Assy. | Left Hand Shaft Assy. |
| | | | | Case Assy. Kit ⁽⁸⁾ | Case Kit | Inner Parts Kit | | |
| 1999 B-300 Van w/ABS | | | | | | | | |
| 606155-2 | Trac Lok | 4.09 | 708021-1 | 708013 | 708014 | 707084X | 43965-2 | 43965-3 |
| 606156-1 | Standard | 4.09 | 708021-1 | 708010 | 708011 | 706043X | 43965-2 | 43965-3 |
| 606205-2 | Trac Lok | 4.10 | 708009-2 | 708013 | 708014 | 707084X | 43965-2 | 43965-3 |
| 606206-1 | Standard | 4.10 | 708009-2 | 708010 | 708011 | 706043X | 43965-2 | 43965-3 |
| 606206-2 | Trac Lok | 4.10 | 708009-2 | 708013 | 708014 | 707084X | 43965-2 | 43965-3 |
| 2001 B-300 Van w/ABS | | | | | | | | |
| 606714-2 | Trac Lok | 4.10 | 708148-2 | 708013 | 708014 | 707084X | 43965-2 | 43965-3 |

NOTE: All Ring & Pinion Kits with base number 706930 are reverse spiral bevel

(7) See Ring Gear & Pinion Kits in XGI Catalog for ratio & tooth combinations.

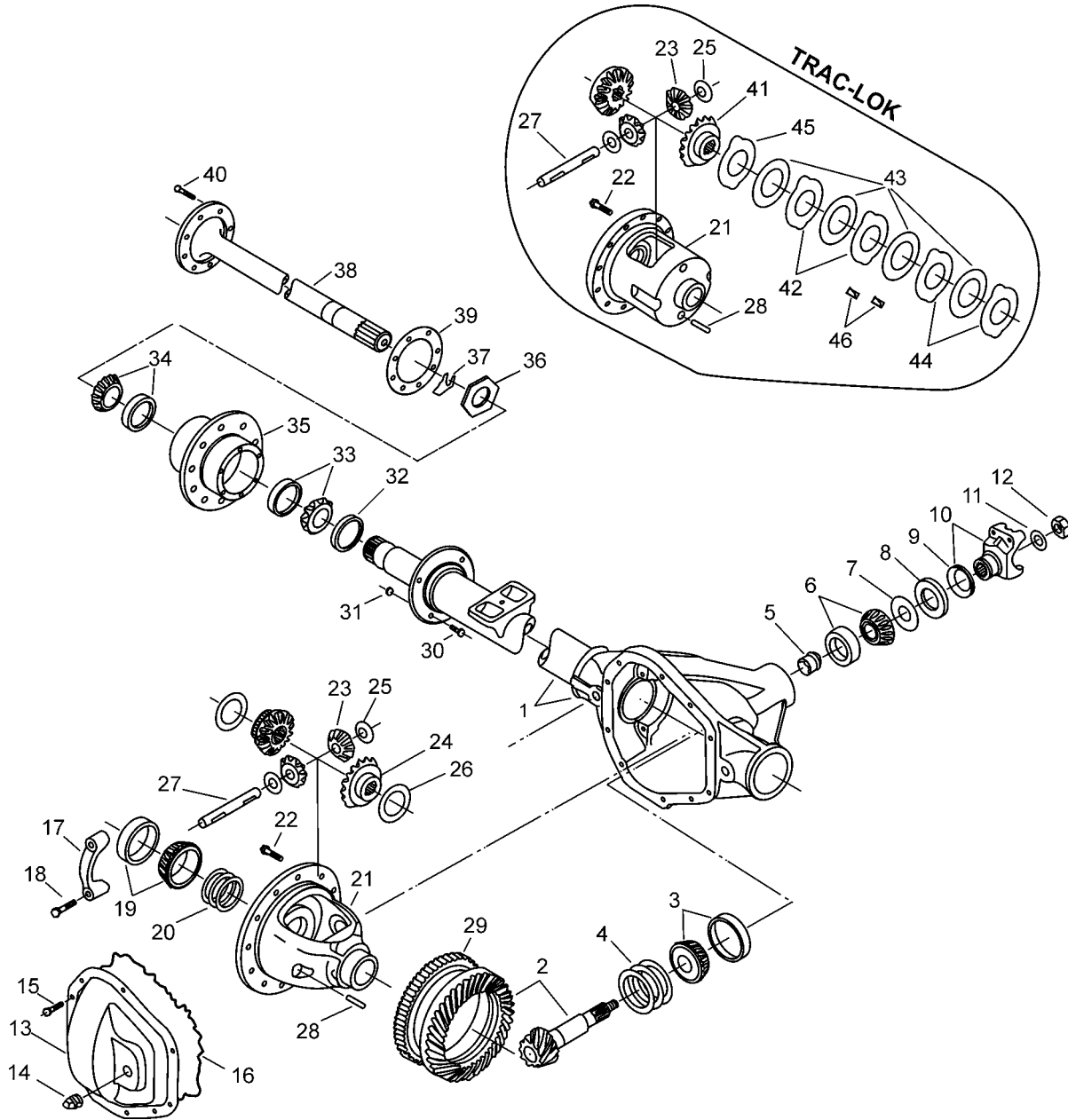
(8) See Differential Case Assy Kits in XGI Catalog for spline data & ratios.

Variable Parts Listing

| Kits & Parts - Use With All Applications | | | | | | | | |
|---|----------------------------------|----|---------|-------------------|--------|--------|--------|--------|
| Description & Item Number (Refer to "Exploded View" at the front of this section) | | | | Bills of Material | | | | |
| | | | | 606155 | 606156 | 606205 | 606206 | 606714 |
| 1 | PKG - Diff & Pinion Bearing Shim | - | 708020 | 708020 | - | - | - | - |
| 2 | PKG - Pinion Bearing Shim | - | 706359X | 706359X | - | - | - | - |
| 3 | Inner Pinion Bearing Shims | 4 | 701012X | 701012X | 703018 | 703018 | 703018 | 703018 |
| 4 | Outer Pinion Bearing Shims | 5 | 701012X | 701012X | - | - | - | - |
| 5 | Collapsible Spacer | 5A | - | - | 45658 | 45658 | 45658 | 45658 |
| 6 | Seal - Pinion Oil | 8 | 42449 | 42449 | 42449 | 42449 | 42449 | 50637 |
| 7 | Hub Seal | 32 | 35313 | 43146 | 35313 | 43146 | 35313 | 35313 |

**Model 60 /248
Rear Axles for
D2500 & W2500 Ram**

Chrysler /Dodge 60/248 Rear - Ram Exploded View



Chrysler /Dodge 60/248 Rear - Ram

Parts Listing

| ITEM NO. | PART NUMBER | DESCRIPTION | ITEM NO. | PART NUMBER | DESCRIPTION |
|----------|-------------|---------------------------------------|----------|-------------|------------------------------------|
| 1 | -(3) | Housing - Axle Service | 24 | 34394 | Gear - Differential (std) |
| 2 | -(1) | Drive Gear & Pinion Assembly | 25 | 34730 | Thrustwasher - Differential Pinion |
| 3 | 706046X | KIT - Inner Pinion Bearing | 26 | 34729 | Thrustwasher - Diff Gear (std) |
| 4 | 701126X | PKG - Inner Pinion Bearing Shim | 27 | 30263 | Shaft - Differential |
| 5 | 45658 | Collapsible Spacer | 28 | 44810 | Lock - Differential Shaft |
| 6 | 706045X | KIT - Outer Pinion Bearing | 29 | 42928 | Tone Ring (ABS Only) |
| 7 | 42737 | Thrustwasher | 30 | -(2) | Bolt - Brake Mounting |
| 8 | -(2) | Seal - Pinion | 31 | -(2) | Nut - Brake Mounting |
| 9 | -(2) | Slinger - End Yoke | 32 | -(2) | Seal - Hub |
| 10 | -(2) | End Yoke Assembly (inc 9) | 33 | -(3) | KIT - Inner Wheel Bearing |
| 11 | 44167 | Washer - Pinion Nut | 34 | -(3) | KIT - Outer Wheel Bearing |
| 12 | 30271 | Pinion Nut | 35 | -(3) | Wheel Hub |
| | -(2) | KIT - Carrier Cover (inc. 13, 14, 15) | 36 | 47163 | Spindle Nut |
| 13 | -(2) | Carrier Cover | 37 | 46545 | Locking Wedge |
| 14 | 43180 | Plug - Carrier Cover | 38 | -(1) | Shaft - Axle Flanged Drive |
| 15 | 34822 | Bolt - Carrier Cover (qty 10) | 39 | 39697 | Gasket |
| 16 | 34687 | Gasket - Carrier Cover | 40 | 45720 | Cap Screw |
| | 38615 | RTV Silicone Sealant | 41 | 35803 | Gear - Differential (t/l) |
| 17 | -(3) | Differential Bearing Cap | | 707083X | KIT - Diff Plate & Disc (t/l) |
| 18 | 48632-1 | Bolt - Differential Bearing Cap | 42 | -(4) | Plate - Differential Pressure |
| 19 | 706047X | KIT - Differential Bearing | 43 | -(4) | Disc - Differential |
| 20 | 708012 | KIT - Diff Bearing Shim (inc 16) | 44 | -(4) | Plate - Diff (selec. thickness) |
| 21 | -(1) | Case - Differential | 45 | -(4) | Plate - Preload Spacer |
| 22 | 40638 | Bolt - Drive Gear (qty 12) | 46 | 40835 | Clip - Diff Clutch Retainer |
| 23 | 34367 | Pinion - Differential | | | |

- (1) See "Bill of Material Table" on next page
- (2) See "Variable Parts Table" within this section
- (3) Contact Vehicle Manufacturer
- (4) Not Sold Separately



Chrysler /Dodge 60/248 Rear - Ram

Bill of Material Table

X510-5

| Axle | | | Axle Kits | | | | Shaft & Joint Assy. | |
|-------------------------|------------|-------|---------------------------------------|-------------------------------|----------|-----------------|------------------------|-----------------------|
| Bill of Material | Diff. Type | Ratio | Ring Gear & Pinion Kit ⁽⁷⁾ | Differential | | | Right Hand Shaft Assy. | Left Hand Shaft Assy. |
| | | | | Case Assy. Kit ⁽⁸⁾ | Case Kit | Inner Parts Kit | | |
| 1999 D2500 w/ABS | | | | | | | | |
| 606146-1 | Standard | 3.55 | 708009-1 | 708010 | 708011 | 706043X | 43965-4 | 43965-4 |
| 606146-2 | Trac Lok | 4.10 | 708009-2 | 708013 | 708014 | 707084X | 43965-4 | 43965-4 |
| 1999 W2500 | | | | | | | | |
| 606147-1 | Standard | 3.55 | 708009-1 | 708010 | 708011 | 706043X | 43965-4 | 43965-4 |
| 606147-2 | Trac Lok | 4.10 | 708009-2 | 708013 | 708014 | 707084X | 43965-4 | 43965-4 |
| 2000 D2500 w/ABS | | | | | | | | |
| 606117-1 | Standard | 3.55 | 708009-1 | 708010 | 708011 | 706043X | 43965-4 | 43965-4 |
| 606117-2 | Trac Lok | 4.10 | 708009-2 | 708013 | 708014 | 707084X | 43965-4 | 43965-4 |
| 606239-1 | Standard | 3.55 | 708009-3 | 708010 | 708011 | 706043X | 43965-4 | 43965-4 |
| 606239-2 | Trac Lok | 4.10 | 708009-4 | 708013 | 708014 | 707084X | 43965-4 | 43965-4 |
| 606541-1 | Standard | 3.55 | 708009-3 | 708010 | 708011 | 706043X | 43965-4 | 43965-4 |
| 606541-2 | Trac Lok | 4.10 | 708009-4 | 708013 | 708014 | 707084X | 43965-4 | 43965-4 |
| 2000 W2500 | | | | | | | | |
| 606118-1 | Standard | 3.55 | 708009-1 | 708010 | 708011 | 706043X | 43965-4 | 43965-4 |
| 606118-2 | Trac Lok | 4.10 | 708009-2 | 708013 | 708014 | 707084X | 43965-4 | 43965-4 |
| 606240-1 | Standard | 3.55 | 708009-3 | 708010 | 708011 | 706043X | 43965-4 | 43965-4 |
| 606240-2 | Trac Lok | 4.10 | 708009-4 | 708013 | 708014 | 707084X | 43965-4 | 43965-4 |
| 606542-1 | Standard | 3.55 | 708009-3 | 708010 | 708011 | 706043X | 43965-4 | 43965-4 |
| 606542-2 | Trac Lok | 4.10 | 708009-4 | 708013 | 708014 | 707084X | 43965-4 | 43965-4 |
| 2001 D2500 w/ABS | | | | | | | | |
| 606264-1 | Standard | 3.55 | 708009-3 | 708010 | 708011 | 706043X | 43965-4 | 43965-4 |
| 606264-2 | Trac Lok | 4.10 | 708009-4 | 708013 | 708014 | 707084X | 43965-4 | 43965-4 |
| 606705-1 | Standard | 3.55 | 708148-1 | 708010 | 708011 | 706043X | 43965-4 | 43965-4 |
| 606705-2 | Trac Lok | 4.10 | 708148-2 | 708013 | 708014 | 707084X | 43965-4 | 43965-4 |
| 2001 W2500 | | | | | | | | |
| 606265-1 | Standard | 3.55 | 708009-3 | 708010 | 708011 | 706043X | 43965-4 | 43965-4 |
| 606265-2 | Trac Lok | 4.10 | 708009-4 | 708013 | 708014 | 707084X | 43965-4 | 43965-4 |
| 606706-1 | Standard | 3.55 | 708148-1 | 708010 | 708011 | 706043X | 43965-4 | 43965-4 |
| 606706-2 | Trac Lok | 4.10 | 708148-2 | 708013 | 708014 | 707084X | 43965-4 | 43965-4 |

(7) See Ring Gear & Pinion Kits in XGI Catalog for ratio & tooth combinations.

(8) See Differential Case Assy Kits in XGI Catalog for spline data & ratios.

Chrysler /Dodge 60/248 Rear - Ram

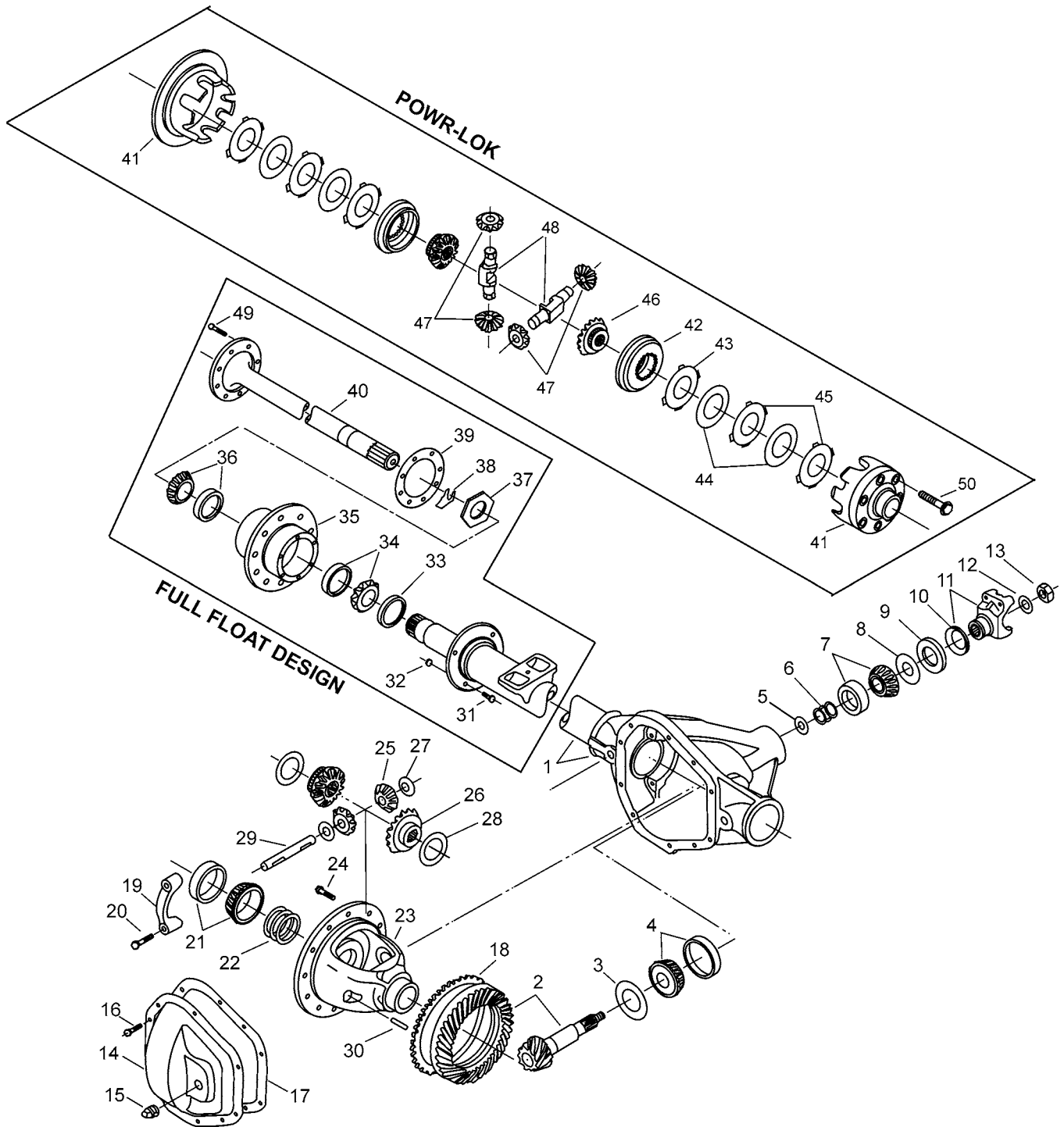
Variable Parts Listing



| Kits & Parts - Use With All Applications | | | | | | | |
|--|---------------------------|----|-------------------|---------------|---------------|---------------|---------------|
| Description & Item Number (Refer to "Exploded View" at the front of this section) | | | Bills of Material | | | | |
| | | | 606117 | 606118 | 606146 | 606147 | 606239 |
| 1 | Seal - Pinion | 8 | 42449 | 42449 | 42449 | 42449 | 47885 |
| 2 | Slinger - End Yoke | 9 | 34592 | 34592 | 34592 | 34592 | 50251 |
| 3 | End Yoke Assembly (inc 9) | 10 | 3-4-11891-1X | 3-4-11891-1X | 3-4-11891-1X | 3-4-11891-1X | 3-4-11851-1 |
| 4 | KIT - Carrier Cover | - | 707353X | 707354X | 707353X | 707354X | 707353X |
| 5 | Carrier Cover | 13 | 46292-1 | 46292-2 | 46292-1 | 46292-2 | 46292-1 |
| 6 | Bolt - Brake Mounting | 30 | 48835 | 48835 | 48835 | 48835 | 48835 |
| 7 | Nut - Brake Mounting | 31 | 48836 | 48836 | 48836 | 48836 | 48836 |
| 8 | Seal - Hub | 32 | 43146 | 43146 | 47507 | 47507 | 43146 |
| | | | 606240 | 606264 | 606265 | 606541 | 606542 |
| 1 | Seal - Pinion | 8 | 47885 | 47885 | 47885 | 47885 | 47885 |
| 2 | Slinger - End Yoke | 9 | 50251 | 50251 | 50251 | 50251 | 50251 |
| 3 | End Yoke Assembly (inc 9) | 10 | 3-4-11851-1 | 3-4-11851-1 | 3-4-11851-1 | 3-4-11851-1 | 3-4-11851-1 |
| 4 | KIT - Carrier Cover | - | 707354X | 707353X | 707354X | 707353X | 707354X |
| 5 | Carrier Cover | 13 | 46292-2 | 46292-1 | 46292-2 | 46292-1 | 46292-2 |
| 6 | Bolt - Brake Mounting | 30 | 48835 | - | - | 48835 | 48835 |
| 7 | Nut - Brake Mounting | 31 | 48836 | 47892 | 47892 | 48836 | 48836 |
| 8 | Seal - Hub | 32 | 43146 | 43146 | 43146 | 43146 | 43146 |
| | | | 606705 | 606706 | | | |
| 1 | Seal - Pinion | 8 | 50574 | 50574 | | | |
| 2 | Slinger - End Yoke | 9 | 50251 | 50251 | | | |
| 3 | End Yoke Assembly (inc 9) | 10 | 3-4-11851-1 | 3-4-11851-1 | | | |
| 4 | KIT - Carrier Cover | - | 707353X | 707354X | | | |
| 5 | Carrier Cover | 13 | 46292-1 | 46292-2 | | | |
| 6 | Bolt - Brake Mounting | 30 | - | - | | | |
| 7 | Nut - Brake Mounting | 31 | 47892 | 47892 | | | |
| 8 | Seal - Hub | 32 | 43146 | 43146 | | | |

**Model 70 /267
Rear Axles for
D2500 & W2500 Ram**

Chrysler/Dodge 70/267 Rear - Ram Exploded View



Chrysler/Dodge 70/267 Rear - Ram

Parts Listing

| ITEM NO. | PART NUMBER | DESCRIPTION | ITEM NO. | PART NUMBER | DESCRIPTION |
|----------|-------------|----------------------------------|----------|-------------|----------------------------------|
| 1 | -(3) | Housing - Axle Service | 26 | 43913 | Gear - Differential (std) |
| 2 | -(1) | Drive Gear & Pinion Assembly | 27 | 35082 | Thrustwasher - Diff Pinion (std) |
| 3 | 47520(6) | PKG - Inner Pinion Bearing Shim | 28 | 34729 | Thrustwasher - Diff Gear (std) |
| 4 | 706861X | Kit - Inner Pinion Bearing | 29 | 46640 | Shaft - Differential (std) |
| 5 | 46176 | Flat Spacer - Outer Pinion | 30 | 47024 | Lock - Differential Shaft |
| 6 | 34801(6) | Outer Pinion Bearing Shims | 31 | -(2) | Bolt - Brake Mounting |
| 7 | 706045X | KIT - Outer Pinion Bearing | 32 | -(2) | Nut - Brake Mounting |
| 8 | 42737 | Thrustwasher - Bearing | 33 | -(2) | Seal - Hub |
| 9 | -(2) | Seal - Pinion Oil | 34 | -(3) | KIT - Inner Wheel Bearing |
| 10 | -(2) | Slinger - End Yoke | 35 | -(3) | Wheel Hub |
| 11 | -(2) | End Yoke Assembly (inc 10) | 36 | -(3) | KIT - Outer Wheel Bearing |
| 12 | 44167 | Washer - Pinion Nut | 37 | 47163 | Spindle Nut |
| 13 | 30271 | Pinion Nut | 38 | 46545 | Locking Wedge |
| | -(2) | Kit - Carrier Cover | 39 | 39697 | Gasket - Axle Shaft |
| 14 | -(2) | Carrier Cover | 40 | -(1) | Shaft - Axle Flange Drive |
| 15 | 43180 | Plug - CarrierCover | 41 | -(1) | Case - Differential (p/l) |
| 16 | 34822 | Bolt - Carrier Cover (qty 10) | 42 | 42522 | Ring - Differential Gear |
| 17 | 34687 | Gasket - Carrier Cover | | 707075X | KIT - Disc & Plate (p/l) |
| 18 | 42929 | Tone Ring (ABS) | 43 | -(4) | Plate - Differential |
| 19 | -(3) | Differential Bearing Cap | 44 | -(4) | Disc - Differential Dished |
| 20 | 48632-1 | Bolt - Differential Bearing Cap | 45 | -(4) | Plate - Differential |
| 21 | 706047X | KIT - Differential Bearing | 46 | 43914 | Gear - Differential (p/l) |
| 22 | 708012(6) | PKG - Diff Bearing Shim (inc 17) | 47 | 31040 | Pinion - Differential (p/l) |
| 23 | -(1) | Case - Differential (std) | 48 | 31041 | Shaft - Differential (p/l) |
| 24 | 40638 | Bolt - Drive Gear (qty 12) | 49 | 45720 | Screw - Axle Shaft |
| 25 | 35080 | Pinion - Differential (std) | 50 | 41610-1 | Flange Head Screw |

- (1) See "Bill of Material Table" on next page
(2) See "Variable Parts Table" within this section
(3) Contact Vehicle Manufacturer
(4) Not Sold Separately
(6) See Shim Table in the back of this catalog

Chrysler/Dodge 70/267 Rear - Ram

Bill of Material Table

| Axle | | | Axle Kits | | | | Shaft & Joint Assy. | |
|---|------------|-------|---------------------------------------|-------------------------------|----------|-----------------|------------------------|-----------------------|
| Bill of Material | Diff. Type | Ratio | Ring Gear & Pinion Kit ⁽⁷⁾ | Differential | | | Right Hand Shaft Assy. | Left Hand Shaft Assy. |
| | | | | Case Assy. Kit ⁽⁸⁾ | Case Kit | Inner Parts Kit | | |
| 1999 D2500 Air Force Tow Vehicle w/ABS | | | | | | | | |
| 606164-2 | Powr Lok | 7.17 | 708015-3 | 708024 | 708025 | 707254X | 43811-12 | 43811-12 |
| 606165-2 | Powr Lok | 7.17 | 708015-3 | 708024 | 708025 | 707254X | 43811-12 | 43811-12 |
| 1999 D2500 w/ABS | | | | | | | | |
| 606149-1 | Standard | 3.54 | 708015-1 | 708016 | 708017 | 707252X | 43811-12 | 43811-12 |
| 606149-2 | Powr Lok | 3.54 | 708015-1 | 708018 | 708019 | 707254X | 43811-12 | 43811-12 |
| 606149-3 | Standard | 4.10 | 708015-2 | 708016 | 708017 | 707252X | 43811-12 | 43811-12 |
| 606149-4 | Powr Lok | 4.10 | 708015-2 | 708018 | 708019 | 707254X | 43811-12 | 43811-12 |
| 1999 W2500 | | | | | | | | |
| 606148-1 | Standard | 3.54 | 708015-1 | 708016 | 708017 | 707252X | 43811-12 | 43811-12 |
| 606148-2 | Powr Lok | 3.54 | 708015-1 | 708018 | 708019 | 707254X | 43811-12 | 43811-12 |
| 606148-3 | Standard | 4.10 | 708015-2 | 708016 | 708017 | 707252X | 43811-12 | 43811-12 |
| 606148-4 | Powr Lok | 4.10 | 708015-2 | 708018 | 708019 | 707254X | 43811-12 | 43811-12 |
| 2000 D2500 w/ABS | | | | | | | | |
| 606120-1 | Standard | 3.54 | 708015-1 | 708016 | 708017 | 707252X | 43811-12 | 43811-12 |
| 606120-2 | Powr Lok | 3.54 | 708015-1 | 708018 | 708019 | 707254X | 43811-12 | 43811-12 |
| 606120-3 | Standard | 4.10 | 708015-2 | 708016 | 708017 | 707252X | 43811-12 | 43811-12 |
| 606120-4 | Powr Lok | 4.10 | 708015-2 | 708018 | 708019 | 707254X | 43811-12 | 43811-12 |
| 606241-1 | Standard | 3.54 | 708015-4 | 708016 | 708017 | 707252X | 43811-12 | 43811-12 |
| 606241-2 | Powr Lok | 3.54 | 708015-4 | 708018 | 708019 | 707254X | 43811-12 | 43811-12 |
| 606241-3 | Standard | 4.10 | 708015-5 | 708016 | 708017 | 707252X | 43811-12 | 43811-12 |
| 606241-4 | Powr Lok | 4.10 | 708015-5 | 708018 | 708019 | 707254X | 43811-12 | 43811-12 |
| 606543-1 | Standard | 3.54 | 708015-4 | 708016 | 708017 | 707252X | 43811-12 | 43811-12 |
| 606543-2 | Powr Lok | 3.54 | 708015-4 | 708018 | 708019 | 707254X | 43811-12 | 43811-12 |
| 606543-3 | Standard | 4.10 | 708015-5 | 708016 | 708017 | 707252X | 43811-12 | 43811-12 |
| 606543-4 | Powr Lok | 4.10 | 708015-5 | 708018 | 708019 | 707254X | 43811-12 | 43811-12 |
| 2000 D2500 Air Force Tow Vehicle w/ABS | | | | | | | | |
| 606249-1 | Standard | 7.17 | 708015-6 | 708022 | 708023 | 707252X | 43811-12 | 43811-12 |
| 606249-2 | Powr Lok | 7.17 | 708015-6 | 708024 | 708025 | 707254X | 43811-12 | 43811-12 |
| 2000 W2500 | | | | | | | | |
| 606119-1 | Standard | 3.54 | 708015-1 | 708016 | 708017 | 707252X | 43811-12 | 43811-12 |
| 606119-2 | Powr Lok | 3.54 | 708015-1 | 708018 | 708019 | 707254X | 43811-12 | 43811-12 |
| 606119-3 | Standard | 4.10 | 708015-2 | 708016 | 708017 | 707252X | 43811-12 | 43811-12 |
| 606119-4 | Powr Lok | 4.10 | 708015-2 | 708018 | 708019 | 707254X | 43811-12 | 43811-12 |
| 606242-1 | Standard | 3.54 | 708015-4 | 708016 | 708017 | 707252X | 43811-12 | 43811-12 |
| 606242-2 | Powr Lok | 3.54 | 708015-4 | 708018 | 708019 | 707254X | 43811-12 | 43811-12 |
| 606242-3 | Standard | 4.10 | 708015-5 | 708016 | 708017 | 707252X | 43811-12 | 43811-12 |
| 606242-4 | Powr Lok | 4.10 | 708015-5 | 708018 | 708019 | 707254X | 43811-12 | 43811-12 |
| 606544-1 | Standard | 3.54 | 708015-4 | 708016 | 708017 | 707252X | 43811-12 | 43811-12 |
| 606544-2 | Powr Lok | 3.54 | 708015-4 | 708018 | 708019 | 707254X | 43811-12 | 43811-12 |
| 606544-3 | Standard | 4.10 | 708015-5 | 708016 | 708017 | 707252X | 43811-12 | 43811-12 |
| 606544-4 | Powr Lok | 4.10 | 708015-5 | 708018 | 708019 | 707254X | 43811-12 | 43811-12 |

(7) See Ring Gear & Pinion Kits in XGI Catalog for ratio & tooth combinations.

(8) See Differential Case Assy Kits in XGI Catalog for spline data & ratios.

Chrysler/Dodge 70/267 Rear - Ram

Bill of Material Table

| Axle | | | Axle Kits | | | | Shaft & Joint Assy. | |
|---|------------|-------|---------------------------------------|-------------------------------|----------|-----------------|------------------------|-----------------------|
| Bill of Material | Diff. Type | Ratio | Ring Gear & Pinion Kit ⁽⁷⁾ | Differential | | | Right Hand Shaft Assy. | Left Hand Shaft Assy. |
| | | | | Case Assy. Kit ⁽⁸⁾ | Case Kit | Inner Parts Kit | | |
| 2000 W2500 Air Force Tow Vehicle w/ABS | | | | | | | | |
| 606250-1 | Standard | 7.17 | 708015-6 | 708022 | 708023 | 707252X | 43811-12 | 43811-12 |
| 606250-2 | Powr Lok | 7.17 | 708015-6 | 708024 | 708025 | 707254X | 43811-12 | 43811-12 |
| 2001 D2500 w/ABS | | | | | | | | |
| 606266-1 | Standard | 3.54 | 708015-4 | 708016 | 708017 | 707252X | 43811-12 | 43811-12 |
| 606266-2 | Powr Lok | 3.54 | 708015-4 | 708018 | 708019 | 707254X | 43811-12 | 43811-12 |
| 606266-3 | Standard | 4.10 | 708015-5 | 708016 | 708017 | 707252X | 43811-12 | 43811-12 |
| 606266-4 | Powr Lok | 4.10 | 708015-5 | 708018 | 708019 | 707254X | 43811-12 | 43811-12 |
| 606707-1 | Standard | 3.54 | 708149-1 | 708016 | 708017 | 707252X | 43811-12 | 43811-12 |
| 606707-2 | Powr Lok | 3.54 | 708149-1 | 708018 | 708019 | 707254X | 43811-12 | 43811-12 |
| 606707-3 | Standard | 4.10 | 708149-2 | 708016 | 708017 | 707252X | 43811-12 | 43811-12 |
| 606707-4 | Powr Lok | 4.10 | 708149-2 | 708018 | 708019 | 707254X | 43811-12 | 43811-12 |
| 2001 D2500 Air Force Tow Vehicle w/ABS | | | | | | | | |
| 606274-1 | Standard | 7.17 | 708015-6 | 708022 | 708023 | 707252X | 43811-12 | 43811-12 |
| 606274-2 | Powr Lok | 7.17 | 708015-6 | 708024 | 708025 | 707254X | 43811-12 | 43811-12 |
| 2001 W2500 | | | | | | | | |
| 606267-1 | Standard | 3.54 | 708015-4 | 708016 | 708017 | 707252X | 43811-12 | 43811-12 |
| 606267-2 | Powr Lok | 3.54 | 708015-4 | 708018 | 708019 | 707254X | 43811-12 | 43811-12 |
| 606267-3 | Standard | 4.10 | 708015-5 | 708016 | 708017 | 707252X | 43811-12 | 43811-12 |
| 606267-4 | Powr Lok | 4.10 | 708015-5 | 708018 | 708019 | 707254X | 43811-12 | 43811-12 |
| 606708-1 | Standard | 3.54 | 708149-1 | 708016 | 708017 | 707252X | 43811-12 | 43811-12 |
| 606708-2 | Powr Lok | 3.54 | 708149-1 | 708018 | 708019 | 707254X | 43811-12 | 43811-12 |
| 606708-3 | Standard | 4.10 | 708149-2 | 708016 | 708017 | 707252X | 43811-12 | 43811-12 |
| 606708-4 | Powr Lok | 4.10 | 708149-2 | 708018 | 708019 | 707254X | 43811-12 | 43811-12 |
| 2001 W2500 Air Force Tow Vehicle w/ABS | | | | | | | | |
| 606273-1 | Standard | 7.17 | 708015-6 | 708022 | 708023 | 707252X | 43811-12 | 43811-12 |
| 606273-2 | Powr Lok | 7.17 | 708015-6 | 708024 | 708025 | 707254X | 43811-12 | 43811-12 |

(7) See Ring Gear & Pinion Kits in XGI Catalog for ratio & tooth combinations.

(8) See Differential Case Assy Kits in XGI Catalog for spline data & ratios.

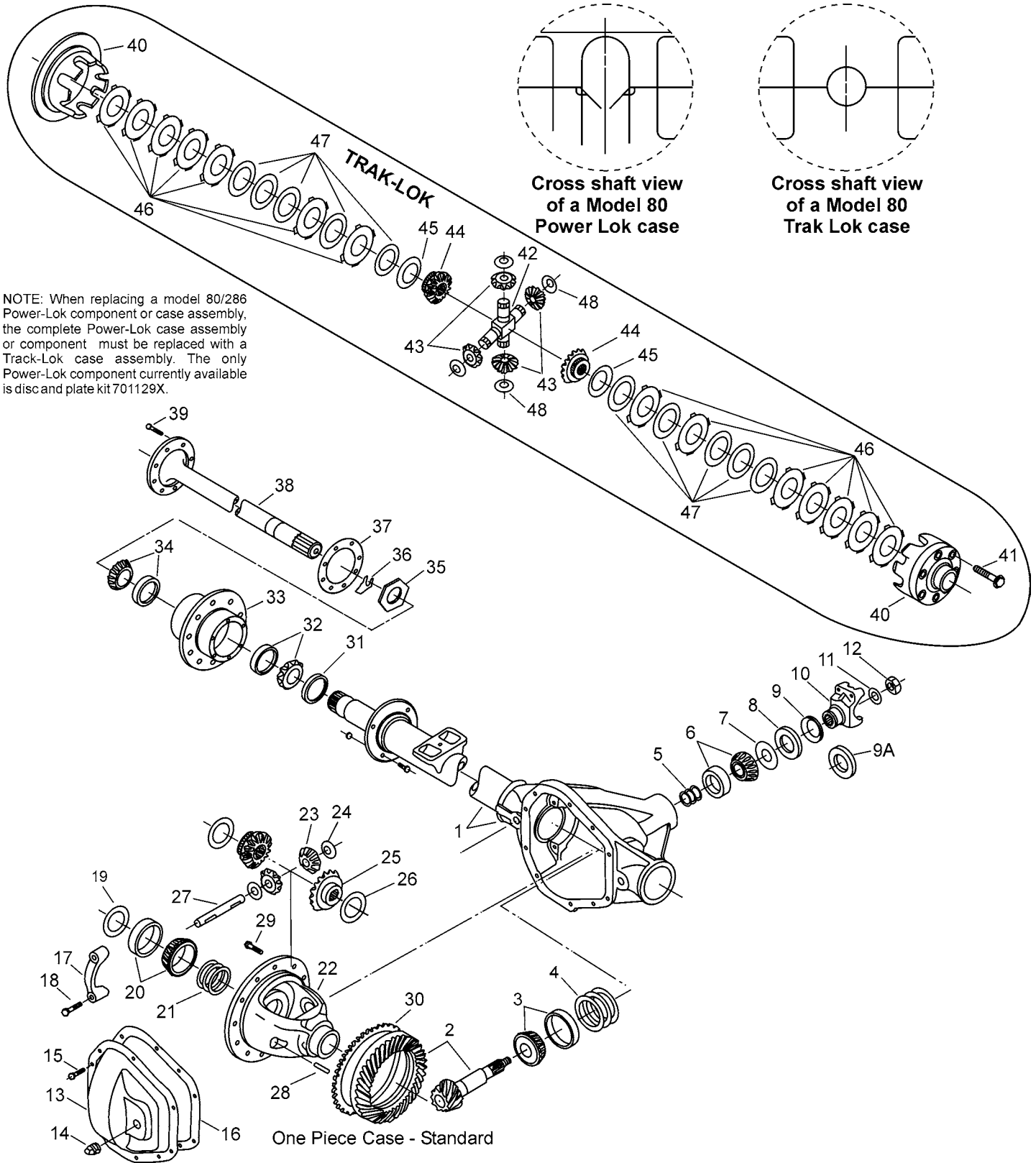
Chrysler/Dodge 70/267 Rear - Ram

Variable Parts Listing

| Kits & Parts - Use With All Applications | | | | | | | |
|---|----------------------------|----|-------------------|---------------|---------------|---------------|---------------|
| Description & Item Number (Refer to the "Exploded View" at the front of this section) | | | Bills of Material | | | | |
| | | | 606119 | 606120 | 606148 | 606149 | 606164 |
| 1 | Seal - Pinion Oil | 9 | 42449 | 42449 | 42449 | 42449 | 42449 |
| 2 | Slinger - End Yoke | 10 | 34592 | 34592 | 34592 | 34592 | 34592 |
| 3 | End Yoke Assembly (inc 10) | 11 | 3-4-11891-1X | 3-4-11891-1X | 3-4-11891-1X | 3-4-11891-1X | 3-4-11891-1X |
| 4 | Kit - Carrier Cover | - | 707351X | 707352X | 707351X | 707352X | 707351X |
| 5 | Carrier Cover | 14 | 46293-2 | 46293-1 | 46293-2 | 46293-1 | 46293-2 |
| 6 | Bolt - Brake Mounting | 31 | 48835 | 48835 | 48835 | 48835 | 48835 |
| 7 | Nut - Brake Mounting | 32 | 48836 | 48836 | 48836 | 48836 | 48836 |
| 8 | Seal - Hub | 33 | 43146 | 43146 | 47507 | 47507 | 47507 |
| | | | 606165 | 606241 | 606242 | 606249 | 606250 |
| 1 | Seal - Pinion Oil | 9 | 42449 | 47885 | 47885 | 47885 | 47885 |
| 2 | Slinger - End Yoke | 10 | 34592 | 50251 | 50251 | 50251 | 50251 |
| 3 | End Yoke Assembly (inc 10) | 11 | 3-4-11891-1X | 3-4-11851-1 | 3-4-11851-1 | 3-4-11851-1 | 3-4-11851-1 |
| 4 | Kit - Carrier Cover | - | 707352X | 707352X | 707351X | 707352X | 707351X |
| 5 | Carrier Cover | 14 | 46293-1 | 46293-1 | 46293-2 | 46293-1 | 46293-2 |
| 6 | Bolt - Brake Mounting | 31 | 48835 | 48835 | 48835 | 48835 | 48835 |
| 7 | Nut - Brake Mounting | 32 | 48836 | 48836 | 48836 | 48836 | 48836 |
| 8 | Seal - Hub | 33 | 47507 | 43146 | 43146 | 43146 | 43146 |
| | | | 606266 | 606267 | 606273 | 606274 | 606543 |
| 1 | Seal - Pinion Oil | 9 | 47885 | 47885 | 47885 | 47885 | 47885 |
| 2 | Slinger - End Yoke | 10 | 50251 | 50251 | 50251 | 50251 | 50251 |
| 3 | End Yoke Assembly (inc 10) | 11 | 3-4-11851-1 | 3-4-11851-1 | 3-4-11851-1 | 3-4-11851-1 | 3-4-11851-1 |
| 4 | Kit - Carrier Cover | - | 707352X | 707351X | 707351X | 707352X | 707352X |
| 5 | Carrier Cover | 14 | 46293-1 | 46293-2 | 46293-2 | 46293-1 | 46293-1 |
| 6 | Bolt - Brake Mounting | 31 | - | - | - | - | 48835 |
| 7 | Nut - Brake Mounting | 32 | 47892 | 47892 | 47892 | 47892 | 48836 |
| 8 | Seal - Hub | 33 | 43146 | 43146 | 43146 | 43146 | 43146 |
| | | | 606544 | 606707 | 606708 | | |
| 1 | Seal - Pinion Oil | 9 | 47885 | 50574 | 50574 | | |
| 2 | Slinger - End Yoke | 10 | 50251 | 50251 | 50251 | | |
| 3 | End Yoke Assembly (inc 10) | 11 | 3-4-11851-1 | 3-4-11851-1 | 3-4-11851-1 | | |
| 4 | Kit - Carrier Cover | - | 707351X | 707352X | 707351X | | |
| 5 | Carrier Cover | 14 | 46293-2 | 46293-1 | 46293-2 | | |
| 6 | Bolt - Brake Mounting | 31 | 48835 | - | - | | |
| 7 | Nut - Brake Mounting | 32 | 48836 | 47892 | 47892 | | |
| 8 | Seal - Hub | 33 | 43146 | 43146 | 43146 | | |

**Model 80 /286
Rear Axles for
D2500, D3500, W2500 & Sweptline Vehicle**

Chrysler/Dodge 80/286 Rear Exploded View



Chrysler/Dodge 80/286 Rear Parts Listing



| ITEM NO. | PART NUMBER | DESCRIPTION | ITEM NO. | PART NUMBER | DESCRIPTION |
|----------|-------------|--|----------|-------------|------------------------------------|
| 1 | -(3) | Housing - Axle Service | 23 | 42413 | Pinion - Differential (std) |
| 2 | -(1) | Drive Pinion & Gear Assembly | 24 | 35082 | Thrustwasher - Differential Pinion |
| 3 | 707065X | KIT - Inner Pinion Bearing | 25 | 42411 | Gear - Differential (std) |
| | 707066X | PKG - Pinion Bearing Shim (inc items 4, 5, 11, 12) | 26 | 34729 | Thrustwasher - Differential Gear |
| | 708036 | PKG - Diff & Pinion Bearing Shim (inc items 4, 5, 11, 12, 21) | 27 | 46640 | Shaft - Differential |
| 4 | -(4) | Inner Pinion Bearing Shims | 28 | 47024 | Lock - Differential Shaft |
| 5 | -(4) | Outer Pinion Bearing Shims | 29 | 42433 | Bolt - Drive Gear |
| 6 | 707064X | KIT - Outer Pinion Bearing | 30 | 42414 | Tone Ring (ABS) |
| 7 | 42430 | Thrustwasher - Bearing | 31 | -(2) | Seal - Inner Wheel |
| 8 | -(2) | Seal - Pinion Oil | 32 | -(3) | Bearing - Inner Wheel |
| 9 | -(2) | Seal - Deflector | 33 | -(3) | Hub Assembly |
| 9A | -(2) | Seal - V-Ring | 34 | -(3) | Bearing - Outer Wheel |
| 10 | -(2) | End Yoke Assembly | 35 | 47163 | Spindle Nut |
| 11 | 37104 | Washer - Pinion Nut | 36 | 46545 | Locking Wedge |
| 12 | 37082 | Pinion Nut | 37 | 39697 | Gasket |
| | -(2) | KIT - Carrier Cover (inc items 13, 14, 15, 16) | 38 | -(1) | Axle Shaft |
| 13 | -(2) | Carrier Cover | 39 | 45720 | Screw - Flange Head |
| 14 | 38637 | Plug - Carrier Cover | 40 | -(1) | Case - Differential |
| 15 | -(2) | Bolt - Carrier Cover | 41 | 41610-1 | Screw - Flange Head |
| 16 | 38615 | RTV Silicone Sealant | 42 | 47802 | Shaft - Differential (t/l) |
| 17 | -(3) | Differential Bearing Cap | 43 | 47798 | Pinion - Differential (t/l) |
| 18 | 48632-1 | Bolt - Differential Bearing Cap | 44 | 47796 | Gear - Differential (t/l) |
| 19 | 707069X | KIT - Outboard Bearing Spacer | | 701129X | KIT - Diff Plate & Disc (p/l) |
| 20 | 706070X | KIT - Differential Bearing | | 2003819 | KIT - Diff Plate & Disc (t/l) |
| 21 | 708035(6) | PKG - Differential Bearing Shim | 45 | -(4) | Disc - Differential Dished |
| 22 | -(1) | Case - Differential (std) | 46 | -(4) | Plate - Diff Pressure |
| | | | 47 | -(4) | Disc - Diff Clutch |
| | | | 48 | 47800 | Thrustwasher - Pinion Diff (t/l) |

(1) See "Bill of Material Table" on next page

(2) See "Variable Parts Table" within this section

(3) Contact Vehicle Manufacturer

(4) Not Sold Separately

(6) See Shim Table in the back of this catalog

(9) NOTE: When replacing a model 80/286 Power-Lok component or case assembly, the complete Power-Lok case assembly or component must be replaced with a Track-Lok case assembly. The only Power-Lok component currently available is disc and plate kit 701129X.

Chrysler/Dodge 80/286 Rear Bill of Material Table

| Axle | | | Axle Kits | | | | Shaft & Joint Assy. | |
|---------------------------|------------|-------|---------------------------------------|-------------------------------|-----------|-----------------|------------------------|-----------------------|
| Bill of Material | Diff. Type | Ratio | Ring Gear & Pinion Kit ⁽⁷⁾ | Differential | | | Right Hand Shaft Assy. | Left Hand Shaft Assy. |
| | | | | Case Assy. Kit ⁽⁸⁾ | Case Kit | Inner Parts Kit | | |
| 1999 D2500 w/ABS | | | | | | | | |
| 606150-1 | Standard | 3.54 | 708026-1 | 708027 | 708028 | 707063X | 45553-1 | 45553-1 |
| 606150-2 | Trac Lok | 3.54 | 708026-1 | 2011842(9) | 708055(9) | 2003857(9) | 45553-1 | 45553-1 |
| 606150-3 | Standard | 4.10 | 708026-2 | 708031 | 708032 | 707063X | 45553-1 | 45553-1 |
| 606150-4 | Trac Lok | 4.10 | 708026-2 | 2011841(9) | 708053(9) | 2003857(9) | 45553-1 | 45553-1 |
| 1999 D3500 w/ABS | | | | | | | | |
| 606152-1 | Standard | 3.54 | 708026-1 | 708027 | 708028 | 707063X | 45553-2 | 45553-2 |
| 606152-2 | Trac Lok | 3.54 | 708026-1 | 2011842(9) | 708055(9) | 2003857(9) | 45553-2 | 45553-2 |
| 606152-3 | Standard | 4.10 | 708026-2 | 708031 | 708032 | 707063X | 45553-2 | 45553-2 |
| 606152-4 | Trac Lok | 4.10 | 708026-2 | 2011841(9) | 708053(9) | 2003857(9) | 45553-2 | 45553-2 |
| 1999 D/W3500 w/ABS | | | | | | | | |
| 606154-1 | Standard | 3.54 | 708026-1 | 708027 | 708028 | 707063X | 45553-3 | 45553-3 |
| 606154-2 | Trac Lok | 3.54 | 708026-1 | 2011842(9) | 708055(9) | 2003857(9) | 45553-3 | 45553-3 |
| 606154-3 | Standard | 4.10 | 708026-2 | 708031 | 708032 | 707063X | 45553-3 | 45553-3 |
| 606154-4 | Trac Lok | 4.10 | 708026-2 | 2011841(9) | 708053(9) | 2003857(9) | 45553-3 | 45553-3 |
| 1999 W2500 | | | | | | | | |
| 606151-1 | Standard | 3.54 | 708026-1 | 708027 | 708028 | 707063X | 45553-1 | 45553-1 |
| 606151-2 | Trac Lok | 3.54 | 708026-1 | 2011842(9) | 708055(9) | 2003857(9) | 45553-1 | 45553-1 |
| 606151-3 | Standard | 4.10 | 708026-2 | 708031 | 708032 | 707063X | 45553-1 | 45553-1 |
| 606151-4 | Trac Lok | 4.10 | 708026-2 | 2011841(9) | 708053(9) | 2003857(9) | 45553-1 | 45553-1 |
| 1999 W3500 | | | | | | | | |
| 606153-1 | Standard | 3.54 | 708026-1 | 708027 | 708028 | 707063X | 45553-2 | 45553-2 |
| 606153-2 | Trac Lok | 3.54 | 708026-1 | 2011842(9) | 708055(9) | 2003857(9) | 45553-2 | 45553-2 |
| 606153-3 | Standard | 4.10 | 708026-2 | 708031 | 708032 | 707063X | 45553-2 | 45553-2 |
| 606153-4 | Trac Lok | 4.10 | 708026-2 | 2011841(9) | 708053(9) | 2003857(9) | 45553-2 | 45553-2 |
| 2000 D2500 w/ABS | | | | | | | | |
| 606114-1 | Standard | 3.54 | 708026-1 | 708027 | 708028 | 707063X | 45553-1 | 45553-1 |
| 606114-2 | Trac Lok | 3.54 | 708026-1 | 2011842 | 708055 | 2003857 | 45553-1 | 45553-1 |
| 606114-3 | Standard | 4.10 | 708026-2 | 708031 | 708032 | 707063X | 45553-1 | 45553-1 |
| 606114-4 | Trac Lok | 4.10 | 708026-2 | 2011841 | 708053 | 2003857 | 45553-1 | 45553-1 |
| 606243-1 | Standard | 3.54 | 708026-3 | 708027 | 708028 | 707063X | 45553-1 | 45553-1 |
| 606243-2 | Trac Lok | 3.54 | 708026-3 | 2011842 | 708055 | 2003857 | 45553-1 | 45553-1 |
| 606243-3 | Standard | 4.10 | 708026-4 | 708031 | 708032 | 707063X | 45553-1 | 45553-1 |
| 606243-4 | Trac Lok | 4.10 | 708026-4 | 2011841 | 708053 | 2003857 | 45553-1 | 45553-1 |
| 606545-1 | Standard | 3.54 | 708026-3 | 708027 | 708028 | 707063X | 45553-1 | 45553-1 |
| 606545-2 | Trac Lok | 3.54 | 708026-3 | 2011842 | 708055 | 2003857 | 45553-1 | 45553-1 |
| 606545-3 | Standard | 4.10 | 708026-4 | 708031 | 708032 | 707063X | 45553-1 | 45553-1 |

(7) See Ring Gear & Pinion Kits in XGI Catalog for ratio & tooth combinations.

(8) See Differential Case Assy Kits in XGI Catalog for spline data & ratios.

(9) NOTE: When replacing a model 80/286 Power-Lok component or case assembly, the complete Power-Lok case assembly or component must be replaced with a Track-Lok case assembly. The only Power-Lok component currently available is disc and plate kit 701129X.

Chrysler/Dodge 80/286 Rear Bill of Material Table



| Axle | | | Axle Kits | | | | Shaft & Joint Assy. | |
|---------------------------|------------|-------|---------------------------------------|-------------------------------|----------|-----------------|------------------------|-----------------------|
| Bill of Material | Diff. Type | Ratio | Ring Gear & Pinion Kit ⁽⁷⁾ | Differential | | | Right Hand Shaft Assy. | Left Hand Shaft Assy. |
| | | | | Case Assy. Kit ⁽⁸⁾ | Case Kit | Inner Parts Kit | | |
| 2000 D3500 w/ABS | | | | | | | | |
| 606112-1 | Standard | 3.54 | 708026-1 | 708027 | 708028 | 707063X | 45553-2 | 45553-2 |
| 606112-2 | Trac Lok | 3.54 | 708026-1 | 2011842 | 708055 | 2003857 | 45553-2 | 45553-2 |
| 606112-3 | Standard | 4.10 | 708026-2 | 708031 | 708032 | 707063X | 45553-2 | 45553-2 |
| 606112-4 | Trac Lok | 4.10 | 708026-2 | 2011841 | 708053 | 2003857 | 45553-2 | 45553-2 |
| 606245-1 | Standard | 3.54 | 708026-3 | 708027 | 708028 | 707063X | 45553-2 | 45553-2 |
| 606245-2 | Trac Lok | 3.54 | 708026-3 | 2011842 | 708055 | 2003857 | 45553-2 | 45553-2 |
| 606245-3 | Standard | 4.10 | 708026-4 | 708031 | 708032 | 707063X | 45553-2 | 45553-2 |
| 606245-4 | Trac Lok | 4.10 | 708026-4 | 2011841 | 708053 | 2003857 | 45553-2 | 45553-2 |
| 606547-1 | Standard | 3.54 | 708026-3 | 708027 | 708028 | 707063X | 45553-2 | 45553-2 |
| 606547-2 | Trac Lok | 3.54 | 708026-3 | 2011842 | 708055 | 2003857 | 45553-2 | 45553-2 |
| 606547-3 | Standard | 4.10 | 708026-4 | 708031 | 708032 | 707063X | 45553-2 | 45553-2 |
| 606547-4 | Trac Lok | 4.10 | 708026-4 | 2011841 | 708053 | 2003857 | 45553-2 | 45553-2 |
| 2000 D/W3500 w/ABS | | | | | | | | |
| 606113-1 | Standard | 3.54 | 708026-1 | 708027 | 708028 | 707063X | 45553-3 | 45553-3 |
| 606113-2 | Trac Lok | 3.54 | 708026-1 | 2011842 | 708055 | 2003857 | 45553-3 | 45553-3 |
| 606113-3 | Standard | 4.10 | 708026-2 | 708031 | 708032 | 707063X | 45553-3 | 45553-3 |
| 606113-4 | Trac Lok | 4.10 | 708026-2 | 2011841 | 708053 | 2003857 | 45553-3 | 45553-3 |
| 606247-1 | Standard | 3.54 | 708026-3 | 708027 | 708028 | 707063X | 45553-3 | 45553-3 |
| 606247-2 | Trac Lok | 3.54 | 708026-3 | 2011842 | 708055 | 2003857 | 45553-3 | 45553-3 |
| 606247-3 | Standard | 4.10 | 708026-4 | 708031 | 708032 | 707063X | 45553-3 | 45553-3 |
| 606247-4 | Trac Lok | 4.10 | 708026-4 | 2011841 | 708053 | 2003857 | 45553-3 | 45553-3 |
| 606549-1 | Standard | 3.54 | 708026-3 | 708027 | 708028 | 707063X | 45553-3 | 45553-3 |
| 606549-2 | Trac Lok | 3.54 | 708026-3 | 2011842 | 708055 | 2003857 | 45553-3 | 45553-3 |
| 606549-3 | Standard | 4.10 | 708026-4 | 708031 | 708032 | 707063X | 45553-3 | 45553-3 |
| 606549-4 | Trac Lok | 4.10 | 708026-4 | 2011841 | 708053 | 2003857 | 45553-3 | 45553-3 |
| 2000 W2500 | | | | | | | | |
| 606115-1 | Standard | 3.54 | 708026-1 | 708027 | 708028 | 707063X | 45553-1 | 45553-1 |
| 606115-2 | Trac Lok | 3.54 | 708026-1 | 2011842 | 708055 | 2003857 | 45553-1 | 45553-1 |
| 606115-3 | Standard | 4.10 | 708026-2 | 708031 | 708032 | 707063X | 45553-1 | 45553-1 |
| 606115-4 | Trac Lok | 4.10 | 708026-2 | 2011841 | 708053 | 2003857 | 45553-1 | 45553-1 |
| 606244-1 | Standard | 3.54 | 708026-3 | 708027 | 708028 | 707063X | 45553-1 | 45553-1 |
| 606244-2 | Trac Lok | 3.54 | 708026-3 | 2011842 | 708055 | 2003857 | 45553-1 | 45553-1 |
| 606244-3 | Standard | 4.10 | 708026-4 | 708031 | 708032 | 707063X | 45553-1 | 45553-1 |
| 606244-4 | Trac Lok | 4.10 | 708026-4 | 2011841 | 708053 | 2003857 | 45553-1 | 45553-1 |
| 606546-1 | Standard | 3.54 | 708026-3 | 708027 | 708028 | 707063X | 45553-1 | 45553-1 |
| 606546-2 | Trac Lok | 3.54 | 708026-3 | 2011842 | 708055 | 2003857 | 45553-1 | 45553-1 |
| 606546-3 | Standard | 4.10 | 708026-4 | 708031 | 708032 | 707063X | 45553-1 | 45553-1 |
| 606546-4 | Trac Lok | 4.10 | 708026-4 | 2011841 | 708053 | 2003857 | 45553-1 | 45553-1 |

(7) See Ring Gear & Pinion Kits in XGI Catalog for ratio & tooth combinations.

(8) See Differential Case Assy Kits in XGI Catalog for spline data & ratios.

Chrysler/Dodge 80/286 Rear Bill of Material Table

| Axle | | | Axle Kits | | | | Shaft & Joint Assy. | |
|-------------------------|------------|-------|---------------------------------------|-------------------------------|----------|-----------------|------------------------|-----------------------|
| Bill of Material | Diff. Type | Ratio | Ring Gear & Pinion Kit ⁽⁷⁾ | Differential | | | Right Hand Shaft Assy. | Left Hand Shaft Assy. |
| | | | | Case Assy. Kit ⁽⁸⁾ | Case Kit | Inner Parts Kit | | |
| 2000 W3500 | | | | | | | | |
| 606111-1 | Standard | 3.54 | 708026-1 | 708027 | 708028 | 707063X | 45553-2 | 45553-2 |
| 606111-2 | Trac Lok | 3.54 | 708026-1 | 2011842 | 708055 | 2003857 | 45553-2 | 45553-2 |
| 606111-3 | Standard | 4.10 | 708026-2 | 708031 | 708032 | 707063X | 45553-2 | 45553-2 |
| 606111-4 | Trac Lok | 4.10 | 708026-2 | 2011841 | 708053 | 2003857 | 45553-2 | 45553-2 |
| 606246-1 | Standard | 3.54 | 708026-3 | 708027 | 708028 | 707063X | 45553-2 | 45553-2 |
| 606246-2 | Trac Lok | 3.54 | 708026-3 | 2011842 | 708055 | 2003857 | 45553-2 | 45553-2 |
| 606246-3 | Standard | 4.10 | 708026-4 | 708031 | 708032 | 707063X | 45553-2 | 45553-2 |
| 606246-4 | Trac Lok | 4.10 | 708026-4 | 2011841 | 708053 | 2003857 | 45553-2 | 45553-2 |
| 606548-1 | Standard | 3.54 | 708026-3 | 708027 | 708028 | 707063X | 45553-2 | 45553-2 |
| 606548-2 | Trac Lok | 3.54 | 708026-3 | 2011842 | 708055 | 2003857 | 45553-2 | 45553-2 |
| 606548-3 | Standard | 4.10 | 708026-4 | 708031 | 708032 | 707063X | 45553-2 | 45553-2 |
| 606548-4 | Trac Lok | 4.10 | 708026-4 | 2011841 | 708053 | 2003857 | 45553-2 | 45553-2 |
| 2001 W2500 | | | | | | | | |
| 606272-1 | Standard | 3.54 | 708026-3 | 708027 | 708028 | 707063X | 45553-1 | 45553-1 |
| 606272-2 | Trac Lok | 3.54 | 708026-3 | 2011842 | 708055 | 2003857 | 45553-1 | 45553-1 |
| 606272-3 | Standard | 4.10 | 708026-4 | 708031 | 708032 | 707063X | 45553-1 | 45553-1 |
| 606272-4 | Trac Lok | 4.10 | 708026-4 | 2011841 | 708053 | 2003857 | 45553-1 | 45553-1 |
| 606710-1 | Standard | 3.54 | 708150-1 | 708027 | 708028 | 707063X | 45553-1 | 45553-1 |
| 606710-2 | Trac Lok | 3.54 | 708150-1 | 2011842 | 708055 | 2003857 | 45553-1 | 45553-1 |
| 606710-3 | Standard | 4.10 | 708150-2 | 708031 | 708032 | 707063X | 45553-1 | 45553-1 |
| 606710-4 | Trac Lok | 4.10 | 708150-2 | 2011841 | 708053 | 2003857 | 45553-1 | 45553-1 |
| 2001 W3500 | | | | | | | | |
| 606268-1 | Standard | 3.54 | 708026-3 | 708027 | 708028 | 707063X | 45553-2 | 45553-2 |
| 606268-2 | Trac Lok | 3.54 | 708026-3 | 2011842 | 708055 | 2003857 | 45553-2 | 45553-2 |
| 606268-3 | Standard | 4.10 | 708026-4 | 708031 | 708032 | 707063X | 45553-2 | 45553-2 |
| 606268-4 | Trac Lok | 4.10 | 708026-4 | 2011841 | 708053 | 2003857 | 45553-2 | 45553-2 |
| 606712-1 | Standard | 3.54 | 708150-1 | 708027 | 708028 | 707063X | 45553-2 | 45553-2 |
| 606712-2 | Trac Lok | 3.54 | 708150-1 | 2011842 | 708055 | 2003857 | 45553-2 | 45553-2 |
| 606712-3 | Standard | 4.10 | 708150-2 | 708031 | 708032 | 707063X | 45553-2 | 45553-2 |
| 606712-4 | Trac Lok | 4.10 | 708150-2 | 2011841 | 708053 | 2003857 | 45553-2 | 45553-2 |
| 2001 D2500 w/ABS | | | | | | | | |
| 606271-1 | Standard | 3.54 | 708026-3 | 708027 | 708028 | 707063X | 45553-1 | 45553-1 |
| 606271-2 | Trac Lok | 3.54 | 708026-3 | 2011842 | 708055 | 2003857 | 45553-1 | 45553-1 |
| 606271-3 | Standard | 4.10 | 708026-4 | 708031 | 708032 | 707063X | 45553-1 | 45553-1 |
| 606271-4 | Trac Lok | 4.10 | 708026-4 | 2011841 | 708053 | 2003857 | 45553-1 | 45553-1 |
| 606709-1 | Standard | 3.54 | 708150-1 | 708027 | 708028 | 707063X | 45553-1 | 45553-1 |
| 606709-2 | Trac Lok | 3.54 | 708150-1 | 2011842 | 708055 | 2003857 | 45553-1 | 45553-1 |
| 606709-3 | Standard | 4.10 | 708150-2 | 708031 | 708032 | 707063X | 45553-1 | 45553-1 |
| 606709-4 | Trac Lok | 4.10 | 708150-2 | 2011841 | 708053 | 2003857 | 45553-1 | 45553-1 |

(7) See Ring Gear & Pinion Kits in XGI Catalog for ratio & tooth combinations.

(8) See Differential Case Assy Kits in XGI Catalog for spline data & ratios.

Chrysler/Dodge 80/286 Rear Bill of Material Table



| Axle | | | Axle Kits | | | | Shaft & Joint Assy. | |
|---------------------------|------------|-------|---------------------------------------|-------------------------------|----------|-----------------|------------------------|-----------------------|
| Bill of Material | Diff. Type | Ratio | Ring Gear & Pinion Kit ⁽⁷⁾ | Differential | | | Right Hand Shaft Assy. | Left Hand Shaft Assy. |
| | | | | Case Assy. Kit ⁽⁸⁾ | Case Kit | Inner Parts Kit | | |
| 2001 D3500 w/ABS | | | | | | | | |
| 606269-1 | Standard | 3.54 | 708026-3 | 708027 | 708028 | 707063X | 45553-2 | 45553-2 |
| 606269-2 | Trac Lok | 3.54 | 708026-3 | 2011842 | 708055 | 2003857 | 45553-2 | 45553-2 |
| 606269-3 | Standard | 4.10 | 708026-4 | 708031 | 708032 | 707063X | 45553-2 | 45553-2 |
| 606269-4 | Trac Lok | 4.10 | 708026-4 | 2011841 | 708053 | 2003857 | 45553-2 | 45553-2 |
| 606711-1 | Standard | 3.54 | 708150-1 | 708027 | 708028 | 707063X | 45553-2 | 45553-2 |
| 606711-2 | Trac Lok | 3.54 | 708150-1 | 2011842 | 708055 | 2003857 | 45553-2 | 45553-2 |
| 606711-3 | Standard | 4.10 | 708150-2 | 708031 | 708032 | 707063X | 45553-2 | 45553-2 |
| 606711-4 | Trac Lok | 4.10 | 708150-2 | 2011841 | 708053 | 2003857 | 45553-2 | 45553-2 |
| 2001 D/W3500 w/ABS | | | | | | | | |
| 606270-1 | Standard | 3.54 | 708026-3 | 708027 | 708028 | 707063X | 45553-3 | 45553-3 |
| 606270-2 | Trac Lok | 3.54 | 708026-3 | 2011842 | 708055 | 2003857 | 45553-3 | 45553-3 |
| 606270-3 | Standard | 4.10 | 708026-4 | 708031 | 708032 | 707063X | 45553-3 | 45553-3 |
| 606270-4 | Trac Lok | 4.10 | 708026-4 | 2011841 | 708053 | 2003857 | 45553-3 | 45553-3 |
| 606713-1 | Standard | 3.54 | 708150-1 | 708027 | 708028 | 707063X | 45553-3 | 45553-3 |
| 606713-2 | Trac Lok | 3.54 | 708150-1 | 2011842 | 708055 | 2003857 | 45553-3 | 45553-3 |
| 606713-3 | Standard | 4.10 | 708150-2 | 708031 | 708032 | 707063X | 45553-3 | 45553-3 |
| 606713-4 | Trac Lok | 4.10 | 708150-2 | 2011841 | 708053 | 2003857 | 45553-3 | 45553-3 |

(7) See Ring Gear & Pinion Kits in XGI Catalog for ratio & tooth combinations.

(8) See Differential Case Assy Kits in XGI Catalog for spline data & ratios.

Chrysler/Dodge 80/286 Rear Variable Parts Listing

| Kits & Parts - Use With All Applications | | | | | | | |
|---|---------------------------|----|-------------------|------------------|---------------|---------------|---------------|
| Description & Item Number (Refer to the "Exploded View" at the front of this section) | | | Bills of Material | | | | |
| | | | 606111 | 606112 606113 | 606114 | 606115 | 606150 |
| 1 | Seal - Pinion Oil | 8 | 49531 | 49531 | 49531 | 49531 | 43504 |
| 2 | Seal - Deflector | 9 | 49530 | 49530 | 49530 | 49530 | 42432 |
| 3 | Seal - V-Ring | 9A | 49532 | 49532 | 49532 | 49532 | - |
| 4 | End Yoke Assembly (inc 9) | 10 | 3-4-13301-1 | 3-4-13301-1 | 3-4-9931-1 | 3-4-9931-1 | 3-4-9931-1 |
| 5 | KIT - Carrier Cover | - | 707231X | 707329X | 707329X | 707231X | 707329X |
| 6 | Carrier Cover | 13 | 42434 | 45559 | 45559 | 42434 | 45559 |
| 7 | Bolt - Carrier Cover | 15 | 34822 | 34822 | 34822 | 34822 | 47508-1 |
| 8 | Seal - Inner Wheel | 31 | 35256 | 35256 | 43146 | 43146 | 47507 |
| | | | 606151 | 606152 | 606153 | 606154 | 606243 |
| 1 | Seal - Pinion Oil | 8 | 43504 | 43504 | 43504 | 43504 | 50168 |
| 2 | Seal - Deflector | 9 | 42432 | 42432 | 42432 | 42432 | 49530 |
| 3 | Seal - V-Ring | 9A | - | - | - | - | 49532 |
| 4 | End Yoke Assembly (inc 9) | 10 | 3-4-9931-1 | 3-4-13301-1 | 3-4-13301-1 | 3-4-13301-1 | 3-4-14371-1 |
| 5 | KIT - Carrier Cover | - | 707231X | 707329X | 707231X | 707329X | 707329X |
| 6 | Carrier Cover | 13 | 42434 | 45559 | 42434 | 45559 | 45559 |
| 7 | Bolt - Carrier Cover | 15 | 47508-1 | 47508-1 | 47508-1 | 47508-1 | 34822 |
| 8 | Seal - Inner Wheel | 31 | 47507 | 35256 | 35256 | 35256 | 43146 |
| | | | 606244 | 606245 | 606246 | 606247 | 606268 |
| 1 | Seal - Pinion Oil | 8 | 50168 | 50168 | 50168 | 50168 | 50168 |
| 2 | Seal - Deflector | 9 | 49530 | 49530 | 49530 | 49530 | 49530 |
| 3 | Seal - V-Ring | 9A | 49532 | 49532 | 49532 | 49532 | 49532 |
| 4 | End Yoke Assembly (inc 9) | 10 | 3-4-9931-1 | 3-4-13301-1 | 3-4-13301-1 | 3-4-13301-1 | 3-4-13301-1 |
| 5 | KIT - Carrier Cover | - | 707231X | 707329X | 707231X | 707329X | 707231X |
| 6 | Carrier Cover | 13 | 42434 | 45559 | 42434 | 45559 | 42434 |
| 7 | Bolt - Carrier Cover | 15 | 34822 | 34822 | 34822 | 34822 | 34822 |
| 8 | Seal - Inner Wheel | 31 | 43146 | 35256 | 35256 | 35256 | 35256 |
| | | | 606269 | 606270 | 606271 | 606272 | 606545 |
| 1 | Seal - Pinion Oil | 8 | 50168 | 50168 | 50168 | 50168 | 50168 |
| 2 | Seal - Deflector | 9 | 49530 | 49530 | 49530 | 49530 | 49530 |
| 3 | Seal - V-Ring | 9A | 49532 | 49532 | 49532 | 49532 | 49532 |
| 4 | End Yoke Assembly (inc 9) | 10 | 3-4-13301-1 | 3-4-13301-1 | 3-4-14371-1 | 3-4-14371-1 | 3-4-14371-1 |
| 5 | KIT - Carrier Cover | - | 707329X | 707329X | 707329X | 707231X | 707329X |
| 6 | Carrier Cover | 13 | 45559 | 45559 | 45559 | 42434 | 45559 |
| 7 | Bolt - Carrier Cover | 15 | 34822 | 34822 | 34822 | 34822 | 47508-1 |
| 8 | Seal - Inner Wheel | 31 | 35256 | 35256 | 43146 | 43146 | 43146 |

Chrysler/Dodge 80/286 Rear Variable Parts Listing



| Kits & Parts - Use With All Applications | | | | | | | |
|--|---------------------------|----|-------------------|---------------|---------------|---------------|-------------|
| Description & Item Number (Refer to "Exploded View" at the front of this section) | | | Bills of Material | | | | |
| | | | 606546 | 606547 | 606548 | 606549 | 606709 |
| 1 | Seal - Pinion Oil | 8 | 50168 | 50168 | 50168 | 50168 | 50563 |
| 2 | Seal - Deflector | 9 | 49530 | 49530 | 49530 | 49530 | 49530 |
| 3 | Seal - V-Ring | 9A | 49532 | 49532 | 49532 | 49532 | 49532 |
| 4 | End Yoke Assembly (inc 9) | 10 | 3-4-14371-1 | 3-4-13301-1 | 3-4-13301-1 | 3-4-13301-1 | 3-4-14371-1 |
| 5 | KIT - Carrier Cover | - | 707231X | 707329X | 707231X | 707329X | 707329X |
| 6 | Carrier Cover | 13 | 42434 | 45559 | 42434 | 45559 | 45559 |
| 7 | Bolt - Carrier Cover | 15 | 47508-1 | 47508-1 | 47508-1 | 47508-1 | 47508-1 |
| 8 | Seal - Inner Wheel | 31 | 43146 | 35256 | 35256 | 35256 | 43146 |
| | | | 606710 | 606711 | 606712 | 606713 | |
| 1 | Seal - Pinion Oil | 8 | 50563 | 50563 | 50563 | 50563 | |
| 2 | Seal - Deflector | 9 | 49530 | 49530 | 49530 | 49530 | |
| 3 | Seal - V-Ring | 9A | 49532 | 49532 | 49532 | 49532 | |
| 4 | End Yoke Assembly (inc 9) | 10 | 3-4-14371-1 | 3-4-13301-1 | 3-4-13301-1 | 3-4-13301-1 | |
| 5 | KIT - Carrier Cover | - | 707231X | 707329X | 707231X | 707329X | |
| 6 | Carrier Cover | 13 | 42434 | 45559 | 42434 | 45559 | |
| 7 | Bolt - Carrier Cover | 15 | 47508-1 | 47508-1 | 47508-1 | 47508-1 | |
| 8 | Seal - Inner Wheel | 31 | 43146 | 35256 | 35256 | 35256 | |

| Model 70 / 276 | | |
|----------------|---------|-------|
| Part Number | Nominal | |
| | MM | Inch |
| 47520 | | |
| 47520-155 | 1.55 | 0.061 |
| 47520-152 | 1.52 | 0.060 |
| 47520-150 | 1.50 | 0.059 |
| 47520-147 | 1.47 | 0.058 |
| 47520-145 | 1.45 | 0.057 |
| 47520-142 | 1.42 | 0.056 |
| 47520-140 | 1.40 | 0.055 |
| 47520-137 | 1.37 | 0.054 |
| 47520-135 | 1.35 | 0.053 |
| 47520-132 | 1.32 | 0.052 |

| Model 70 / 276 | | |
|----------------|---------|-------|
| Part Number | Nominal | |
| | MM | Inch |
| 34801 | | |
| 34801-1 | 0.36 | 0.014 |
| 34801-2 | 0.41 | 0.016 |
| 34801-3 | 0.46 | 0.018 |
| 34801-4 | 0.51 | 0.020 |
| 34801-5 | 0.56 | 0.022 |
| 34801-6 | 0.76 | 0.030 |
| 34801-7 | 0.38 | 0.015 |
| 34801-8 | 0.53 | 0.021 |
| 34801-9 | 0.58 | 0.023 |
| 34801-10 | 0.25 | 0.010 |
| 34801-11 | 0.61 | 0.024 |

| Model 70 / 276 & 80 / 286 | | |
|---------------------------|---------|-------|
| Part Number | Nominal | |
| | MM | Inch |
| 49541 | | |
| 49541-025 | 0.25 | 0.010 |
| 49541-028 | 0.25 | 0.011 |
| 49541-030 | 0.30 | 0.012 |
| 49541-033 | 0.33 | 0.013 |
| 49541-036 | 0.36 | 0.014 |
| 49541-038 | 0.38 | 0.015 |
| 49541-041 | 0.41 | 0.016 |
| 49541-043 | 0.43 | 0.017 |
| 49541-046 | 0.46 | 0.018 |
| 49541-048 | 0.48 | 0.019 |
| 49541-051 | 0.51 | 0.020 |
| 49541-102 | 1.02 | 0.040 |

Model 70: 708012
 Model 80: 708035



SPICER[®]

Drivetrain Products

Dana Holding Corporation
Spicer Service Parts
PO Box 321
Toledo, Ohio 43697-0321
1-800-SAY-DANA (729-3262)

www.spicerparts.com

Dana Holding Corporation
Spicer Service Parts - Canada
5095 South Service Road
Beamsville, Ontario LOR 1B0
Tech Service: (905) 563-4991

Dana Holding Corporation
Spicer Service Parts - International
(419) 861-6325